

SUPPLEMENT
TO THE
NEW ZEALAND GAZETTE

OF
THURSDAY, FEBRUARY 21, 1907.

Published by Authority.

WELLINGTON, THURSDAY, FEBRUARY 21, 1907.

CONTENTS.

	Page
United States Specifications	725
International and Intercolonial Arrangements for the Mutual Protection of Inventions	725
Notice re Patents Supplement	726
Patent Publications in New Zealand	726
Books and Documents open to Inspection at Patent Office, Wellington	726
Official Publications	727
Local Patent Offices	727
Applications for Letters Patent filed	727
Complete Specifications filed after Provisionals	728
Complete Specifications accepted	728
Provisional Specifications accepted	732
Letters Patent sealed	732
Letters Patent on which Fees have been paid	733
Subsequent Proprietors of Letters Patent registered	733
Applications for Letters Patent abandoned	733
Applications for Letters Patent void	734
Applications for Letters Patent lapsed	734
Letters Patent void	734
Design expired	734
Applications for Registration of Trade Marks	734
Trade Marks registered	741
Trade Mark Renewal Fees paid	741
Trade Marks removed from the Register	742
Subsequent Proprietors of Trade Marks registered	742
Restoration of Trade Mark to the Register	742

United States Specifications.

THE printed specifications, with drawings, of the United States of America for the first half of the year 1905 have been received, and may be inspected in the library attached to the Patent Office.

A

International and Intercolonial Arrangements for the Mutual Protection of Inventions.

INTERNATIONAL CONVENTION.

THE following countries now belong to the Convention:—

- | | |
|------------------------------------|--|
| Belgium. | Mexico. |
| Brazil. | New Zealand. |
| Ceylon. | Norway. |
| Cuba. | Portugal, with the Azores and Madeira. |
| Denmark. | Servia. |
| Dominican Republic. | Spain. |
| France, with Algeria and Colonies. | Sweden. |
| Germany. | Switzerland. |
| Great Britain. | Tunis. |
| Italy. | United States of America. |
| Japan. | |

Separate arrangements have been made between Australia and New Zealand.

Particulars of the Convention and of such arrangements may be seen in the following *Gazettes*:—

Notification of adhesion of New Zealand to the Convention, with text thereof (in English), in the *Gazette* of 26th November, 1891; notification of adherence of New Zealand to the Additional Act of the Convention, with text (in English), of such Additional Act, in Patents Supplement to *Gazette* No. 101, of the 16th November, 1905; Order in Council applying section 103 of the Imperial Act to New Zealand, in *Gazette* No. 27, of the 15th May, 1890; Orders in Council containing arrangements between Australia and New Zealand, in Patent Supplements to the *Gazette* Nos. 22 of the 9th March, 1905, and 38 of the 20th April, 1905,

Patents Supplement to Gazette.

PERSONS interested in Patents, Designs, and Trade Marks will find valuable information about such matters in the Patents Supplement to the *Gazette*, issued fortnightly. Each number contains a list of applications for patents during the current fortnight, claims and drawings of complete specifications that have been accepted, lists of trade marks and designs registered, latest official information, &c.

Single copy: Price, 6d. } Postage included.
Annual subscription: 10s. }

Obtainable from the Government Printer, Wellington.

Patent Publications in New Zealand.

THE following publications relating to Patents for inventions, &c., are open to inspection in the colony:—

WELLINGTON.—PATENT OFFICE LIBRARY.

United Kingdom.

The full text of the specifications and complete drawings of inventions patented from the year 1617 up to the 25th October, 1906.

Classified illustrated abridgments of inventions from 1855 to 1904.

Illustrated Official Journal, containing lists of recent applications, abridgments of inventions for which patents have been lately granted, patents void, &c., to December, 1906.

Index of Applicants.

Subject-matter Index.

Commissioner of Patents Journal, &c.^(*)

Trade Marks Journal to November, 1906.

Canada.

Patent Office Record (containing illustrated abridgments of inventions, &c.) to June, 1906.

Australia.

The full text of the specifications and complete drawings in respect of applications accepted from the 11th January to the 20th February, 1906, inclusive.

The Official Journal of Patents of the Australian Commonwealth (containing lists of applications for letters patent, abridgments of complete specifications accepted, &c.).

The Australian Official Journal of Trade Marks (containing lists of applications for registration of trade marks, &c.).

Specifications, drawings, abridgments, and indexes of Victoria, New South Wales, Queensland, and South Australia^(b).

United States.

The full text of the specifications and drawings for the first half of the year 1905.

The Official Gazette of the United States Patent Office (containing illustrated abridgments of specifications, &c.) to the 6th November, 1906.

Mexico.

The Official Gazette of the Patent and Trade Mark Office.

General.

La Propriété Industrielle (the official organ of the International Bureau of the Union for the Protection of Industrial Property).

Patent laws of the world.

Patent and Trade Mark Review.

Text-books and handbooks on patents and trade marks.

AUCKLAND.—PUBLIC LIBRARY.

United Kingdom.

Classified abridgments of inventions from 1855 to 1904.
Illustrated Official Journal from 1897 to date.

Canada.

Patent Office Record (containing illustrated abridgments of inventions, &c.) from 1897 to date.

Australia.

The Official Journal of Patents from 1905 to date.

United States.

The Official Gazette of the United States Patent Office (containing illustrated abridgments of specifications, &c.) from 1885 to 1887 and 1890 to 1895.

^(*) Discontinued.

^(b) In arrears. Not now being printed.

CHRISTCHURCH.—PUBLIC LIBRARY.

United Kingdom.

Classified abridgments of inventions from 1855 to 1904.
Illustrated Official Journal from October, 1905, to date.

Canada.

Patent Office Record (containing illustrated abridgments of inventions, &c.) from 1897 to date.

Australia.

The Official Journal of Patents from 1905 to date.

DUNEDIN.—TOWN HALL.

United Kingdom.

Classified abridgments of inventions from 1855 to 1904.
Illustrated Official Journal from October, 1905, to date.

Australia.

The Official Journal of Patents from 1905 to date.

Books and Documents open to Inspection at Patent Office, Wellington.

THE following documents and books are open to public inspection at the Patent Office:—

PATENTS.

(Fee for each search or inspection, not exceeding one hour, 1s.)

1. The files relating to all applications for letters patent in respect of which complete specifications have been accepted.
2. Classified copies of specifications and drawings, with index and key^(*).
3. Register of Applications for Letters Patent.
4. Register of Patents.
5. Register of Subsequent Proprietors of Letters Patent^(b).
6. Index of Patentees^(c).
7. Index of Proprietors of Letters Patent granted prior to 1890^(d).
8. Index of Specifications^(e).

DESIGNS.

(Search fee, 1s. each quarter of an hour.)

1. Register of Designs, with Index of Names of Proprietors.
2. Classified Representations of Designs in respect of which Copyright has expired.
3. Index of Designs.

TRADE MARKS.

(Search fee, 1s. each quarter of an hour.)

1. The files relating to all applications for registration of trade marks.
2. Register of Applications for Registration of Trade Marks.
3. Register of Trade Marks.
4. Index of Applicants for Registration of Trade Marks^(f).
5. Index of Trade Marks.
6. Classified Representations of Trade Marks, with indexes.

MISCELLANEOUS.

Register of Patent Agents.

FORMS AND PUBLICATIONS.

The following forms, &c., may be had on application at the Patent Office, Wellington, or at any of the local Patent Offices named below:—

- Application for letters patent.
- Provisional specification.
- Complete specification and copy thereof.
- Application for registration of design.
- Application for registration of trade mark.
- Applications for extension of time.
- Requests by subsequent proprietor to enter name on Register of Patents and Trade Marks.
- Printed sheets of information as to fees and procedure to obtain letters patent and to register a trade mark^(g).
- Pamphlet containing Act and Regulations (price 1s.).

^(*) Key is in card index.

^(b) This Register contains only names of subsequent proprietors of letters patent granted prior to 1st January, 1890; since that date they appear in Register of Patents.

^(c) Includes all names of applicants, &c., and consists of four volumes to 4th November, 1903, and card index since that date. A separate card index is kept for current quarter.

^(d) The names of proprietors of subsequent letters patent appear in the Index of Patentees.

^(e) Contains classified abridgments of specifications from 1861, with extracts from drawings from July, 1904.

^(f) Names of applicants for registration and proprietors of trade marks are indexed at the beginning of the Registers up to 31st December, 1889; in separate volume up to 5th September, 1904; and since the latter date in card index.

^(g) May also be obtained at any local Patent Office or money-order office.

Official Publications.

THE following publications may be obtained from the Government Printer, Wellington:—

- Printed specifications to the end of the year 1879.
- Annual lists of letters patent and letters of registration applied for, and particulars of applications lapsed, and patents lapsed, from 1880 to 1888 inclusive.
- Annual reports of the Registrar, containing alphabetical lists of applicants for letters patent and of inventions patented from 1889 to 1905 inclusive.
- The Patents Supplement to *Gazette* (containing notifications, applications for letters patent, abridged descriptions and drawings of inventions, &c.), published fortnightly.

Local Patent Offices.

LOCAL Patent Offices for supplying forms and for receiving applications for transmission to the Patent Office *without extra charge* have been established at the following places:—

- | | | |
|--|---|-------------------------|
| <ul style="list-style-type: none"> Auckland Gisborne Napier Nelson Blenheim Christchurch Dunedin | } | Supreme Court Offices. |
| <ul style="list-style-type: none"> Thames Wanganui Greymouth Timaru Oamaru Ashburton New Plymouth Westport Hokitika Invercargill Queenstown | } | District Court Offices. |

PATENT AGENTS.

A list of registered patent agents may be obtained on application.

Applications for Letters Patent filed.

LIST of applications for Letters Patent filed. (Where a complete specification accompanies an application an asterisk is affixed; in all other cases a provisional specification has been lodged. In cases where the applicant is not the inventor the name of the latter appears in italics after the title.)

- No. 22395.—6th February.—W. H. Waycott and W. Wilson, Moonee Ponds, Vic.
Indicator for screw-cutting lathe.*
- No. 22396.—6th February.—W. McEachern, Rosewood, N.S.W.
Measured-charge-delivery device.
- No. 22397.—6th February. H. A. Hudson, Mauriceville, N.Z.
Parlour game.
- No. 22398.—6th February.—W. Stocks, Vancouver, B.C.
Stave-built pipes.*
- No. 22399.—6th February.—W. Silver, Tamworth, N.S.W.
Sheep-shearing machine.*
- No. 22400.—6th February.—J. E. Henry, Bundarra, N.S.W.
Pneumatic tire.*
- No. 22401.—6th February.—R. E. G. Borroughs, New Liskeard, Canada.
Pipe-cleaner.*
- No. 22402.—6th February.—C. J. Tuck, Makotuku, N.Z.
Spoon.
- No. 22403.—6th February.—A. R. Dietz, Albert Park, Vic., T. R. Ricketts, Warragul, Vic., and F. H. Cook, Dandenong, Vic.
Rotary engine.*
- No. 22404.—7th February.—A. and J. Burfoot, Auckland, N.Z.
Drain-pipe socket.
- No. 22405.—7th February.—A. Schwartz, Christchurch, N.Z.
Feed-bag for horses, &c.* (C. H. Avey.)

- No. 22406.—8th February.—R. S. C. Brown, Dunedin, N.Z.
Trolley-pole.
- No. 22407.—8th February.—E. R. B. Daniel, Masterton, N.Z.
Guard for circular saw.
- No. 22408.—8th February.—G. F. Hutchinson, Kapuni, N.Z.
Hydraulic vacuum pump.
- No. 22409.—9th February.—H. Mayr, Auckland, N.Z.
Preventing ring slipping from finger.
- No. 22410.—9th February.—A. Gray and D. G. Thornton, Wellington, N.Z.
Pocket of wearing-apparel.
- No. 22411.—6th February.—R. L. H. Murray, Auckland, N.Z.
Acetylene-gas-lamp generator.*
- No. 22412.—8th February.—H. Parsons, Southampton, Eng.
Device for applying to tire to prevent puncture and skidding.*
- No. 22413.—11th February.—J. Lilley, Christchurch, N.Z.
Fencing-wire twister.
- No. 22414.—7th February.—A. B. Johnson, Auckland, N.Z.
Curtain or screen elevator.
- No. 22415.—9th February.—H. Rochfort, Auckland, N.Z.
Extracting metals from slimed ore.
- No. 22416.—12th February.—W. Wilkins and J. Nobbs, Wellington, N.Z.
Bridge back plates of furnace.*
- No. 22417.—12th February.—W. T. J. Auckram, Otahuhu, N.Z.
Sewing-machine.
- No. 22418.—13th February.—W. McEachern, Rosewood, N.S.W.
Bottle attachment and aerated-liquid delivering.*
- No. 22419.—13th February.—G. Saur, Esch S/A, Luxembourg.
Flushing-cistern.
- No. 22420.—13th February.—C. J. Walker, Fitzroy, Vic.
Manufacture of boots and shoes.*
- No. 22421.—13th February.—M. D. Wreathall, Christchurch, N.Z.
Ice-making machine.
- No. 22422.—13th February.—W. F. Dugins and H. Haggarty, jun., Kew, Vic.
Automatically delivering food to horses.
- No. 22423.—8th February.—J. Montgomery, Dunedin, N.Z.
Cooling-chamber.
- No. 22424.—11th February.—A. J. Hall, Thornleigh, N.S.W.
Scarifier.*
- No. 22425.—14th February.—G. S. Evans, Corryong, Vic.
Link-lock hook.
- No. 22426.—14th February.—G. S. Evans, Corryong, Vic.
Safety-clip hook appliance.
- No. 22427.—14th February.—W. A. Merralls, San Francisco, U.S.A.
Process and apparatus for cyaniding.*
- No. 22428.—14th February.—H. W. E. Josling, London, Eng.
Preventing fraudulent refilling of bottles.* (Date applied for under section 106 of the Act, 14th February, 1906.)
- No. 22429.—14th February.—A. J. Way, Wellington, N.Z.
Apparatus for producing hydrocarbon.
- No. 22430.—14th February.—F. Raper, Alexander S. and W. J. P. Dixon, Rock and Pillar, N.Z.
Wire-strainer.
- No. 22431.—14th February.—S. Kendall, Abbotsford, Vic.
Gas-burner.
- No. 22432.—13th February.—P. Bevenot, Paris, France, and E. de Neveu, Asnières, France.
Extracting solid particles from fluids.*
- No. 22433.—16th February.—E. J. Hubbard, Wellington, N.Z.
Method of advertising.
- No. 22434.—18th February.—G. Reisler, Shotover River, N.Z.
Propeller.
- No. 22435.—15th February.—J. Stewart, Gore, N.Z.
Draught attachment for reaper-and-binder.*
- No. 22436.—18th February.—G. Hutchinson, Wellington, N.Z.
Seed-sower.
- No. 22437.—14th February.—J. S. Kirkpatrick, Pukekohe, N.Z.
Door or gate fastening.
- No. 22438.—18th February.—A. H. Byron and R. R. Richmond, Wellington, N.Z.
Sewing-machine.

- No. 2243^a.—18th February.—A. H. Byron and R. R. Richmond, Wellington, N.Z.
Vessel for heating purposes.
- No. 22440.—18th February.—J. H. J. Bowater, Wanganui, N.Z.
Castrating-tool.
- No. 22441.—15th February.—F. de Lautour, Auckland, N.Z.
Marine propulsion.

Complete Specifications filed after Provisionals.

LIST of complete specifications filed after provisional specifications, from the 3rd February to the 17th February, 1907, inclusive:—

- No. 20997.—J. Macalister, seed-sower.
- No. 21078.—T. W. Witt, parcel-strap.
- No. 21103.—H. Bairstow, draught, dust, and rain excluder.
- No. 21114.—H. W. McClellan, gas water-heater.
- No. 21142.—T. E. Taylor, tram-rail cleaner.
- No. 21146.—G. E. Churches, rubber-tube cleaner.
- No. 21149.—J. Wilson, upholstering furniture.
- No. 21232.—H. Wilson, ore-grinding pan.
- No. 21334.—Maganite Explosives Syndicate, Limited, explosive-manufacture. (H. C. L. Bloxam.)
- No. 21750.—J. Christie, street-sweeper.
- No. 21809.—A. Smalls, jun., teat-cup.
- No. 22072.—T. R. Christie, level inlet for drainage.

Notice of Acceptance of Complete Specifications.

Patent Office,
Wellington, 20th February, 1907.

COMPLETE specifications relating to the undermentioned applications for Letters Patent have been accepted, and are open to public inspection at this office. Any person may, at any time within two months from the date of this *Gazette*, give me notice in writing of opposition to the grant of any such patent. Such notice must set forth the particular grounds of objection, and be in duplicate. A fee of 10s. is payable thereon.

No. 20808.—6th March, 1906.—CHARLES HARRIS, of Roxburgh, Otago, New Zealand, Fruitgrower, and CHARLES TODD, of Heriot, Otago aforesaid, Auctioneer. Apparatus for protecting fruit-trees from birds.*

Claims.—(1.) For the purpose indicated, a pillar supporting string netting which envelopes the tree, and means for preventing the said netting from coming into contact with the tree, substantially as set forth. (2.) For the purpose indicated, a pillar inserted in the ground, a hoop supported by the said pillar, and string netting enveloping the tree and supported by the pillar and prevented from coming into contact with the tree by the said hoop, substantially as set forth. (3.) For the purpose indicated, a tubular pillar, a rod telescoping in the pillar, means for securing the rod at any desired height, a cap secured to the top of the rod, ribs secured to the cap, a hoop surrounding the tree and supported by the ribs and string netting enveloping the tree, and secured at the bottom to the pillar by tying, and prevented from coming into contact with the tree by the ribs and the hoop, substantially as set forth. (4.) In apparatus constructed as described in claim 3, the employment of a flange secured to the top of the pillar and cords connecting the flange to the hoop, substantially as set forth.

(Specification, 2s. 3d.; drawing, 1s.)

No. 20933.—29th March, 1906.—ALEXANDER THOMPSON, of Princes Street South, Dunedin, New Zealand, Manufacturer. Improvements in horse-cover fastenings.*

Claims.—(1.) In horse-cover fastenings, the combination with girth-straps of a series of parallel rib-straps connecting the girth-straps, substantially as described. (2.) In horse-cover fastenings, the combination with adjustable girth-straps of separate adjustable diagonal straps connecting the girth-straps, and pivotally secured together where they cross, substantially as described.

(Specification, 1s. 9d.; drawing, 1s.)

No. 20999.—11th April, 1906.—ALEXANDER SMAILL, of Dunedin, New Zealand, Farmer. Improvements in the teat-cups of milking-machines.*

Claims.—(1.) Means for securing a connecting-tube to a teat-cup of the class described, consisting of a cupped flange on one end of said tube, a nut externally threaded on said tube, and a wire device such as illustrated in fig. 4, substantially as described. (2.) Means for securing a connecting-tube as described in claim 1, in combination with the plate 9 forming a washer, substantially as described. (3.) The combination and arrangement of parts substantially as described, and illustrated in fig. 2.

(Specification, 2s. 6d.; drawing, 1s.)

No. 21078.—3rd May, 1906.—THOMAS WILLIAM WITT, of Wellington, New Zealand, Warehouseman. An improved handle for parcel or luggage straps.*

Claim.—In the handles of luggage or parcel straps of the class described, and having a loop or loops thereon adapted to receive a strap or straps extending at right angles across the handle, forming the plate portion thereof with a slot at each end extending transversely across it and adapted to receive the ends of a strap extending longitudinally with the handle, substantially as and for the purposes specified.

(Specification, 2s. 9d.; drawing, 1s.)

No. 21156.—16th May, 1906.—EDWARD SHEE EVELYN, of New Town, Tasmania, Australia, Gentleman. Closure for hermetically sealed receptacles.

Claims.—(1.) In a receptacle-closure, the combination of a jar or can or other receptacle provided with an interior annular shoulder having a groove or channel, a ring of rubber or other suitable material to fit in this groove or channel, a cap or top having an annular groove on its under-side to fit over the ring of rubber or other suitable material, a central depression having a vent, and a rubber ball or other suitable covering for the vent, which ball or covering is held in position by the suction caused by the exhaustion of the air within the receptacle, substantially as described and illustrated. (2.) In a receptacle-closure, the combination of a body part A with an interior annular shoulder B having a groove or channel C in said shoulder B, a ring of rubber or other suitable material D to fit in groove or channel C, a cap or lid E having an annular groove G on under-side of cap or lid E to fit over ring D, a central depression F, vent H, and closure to vent J, substantially as described and illustrated.

(Specification, 3s. 6d.; drawing, 1s.)

No. 21230.—30th May, 1906.—ARTHUR JAMES JODBELL BOLTON, of 1 Armadale Road, Armadale, Bourke, Victoria, Australia, Metallurgist. A composition used for the manufacture of trays, boxes for butter, and the like.

Extract from Specification.—This invention consists of—Fibre of straw, grass, reed, or like material, 92.5 parts; kaolin clay, 2.5 parts; glue, 2.5 parts; wheaten flour, 2.5 parts.

[NOTE.—The above extract from the specification is inserted in place of the claims.]

(Specification, 2s.)

No. 21273.—7th June, 1906.—CHARLES BRISTOW, of 2 Macauley Street, Addington, Christchurch, Canterbury, New Zealand, Engineer. Improved apparatus for sowing seeds.*

Claims.—(1.) In apparatus for sowing seeds, the employment of plates reciprocated through the front of a hopper, and holes in the plates adapted to hold and convey seeds from the interior to the exterior of the hopper, substantially as set forth. (2.) In apparatus for sowing seeds, the employment with plates constructed as described in claim 1 of ejectors having pointed extremities passing into slots provided in the plates and in line with the holes for holding seeds, substantially as set forth. (3.) In apparatus for sowing seeds, the employment with plates constructed as described in claim 1 of means for alternately reciprocating the said plates, consisting of a rocker secured to a stud pivoted in a

bracket upon the front of the hopper, an arm secured to the stud below the bracket, pins secured to a bar and engaging the said arms, a slotted bracket secured to the bar, a disc secured to a shaft and having a pin engaging the slotted bracket, and means for rotating the shaft, substantially as set forth. (4.) In apparatus for sowing seeds, the employment of plates reciprocated through the front of a hopper, heads upon the plates adapted to force seeds through holes provided in the front of the hopper, substantially as set forth. (5.) In apparatus for sowing seeds, the employment of plates reciprocated through the front of a hopper, holes in the plates, and heads thereon adapted to convey seeds from the interior to the exterior of the hopper, and an adjustable shutter for preventing, when desired, delivery by the said heads, substantially as set forth. (6.) In apparatus for sowing seeds, the employment with reciprocating plates constructed as described in claim 1 of sill plates upon which the said plates slide, and guards for retaining the reciprocating plates upon the sill plates, substantially as set forth.

(Specification, 5s. 6d. ; drawing, 1s.)

No. 21678.—22nd August, 1906.—WALTER THOMAS WINGFIELD, of 20 Blackwood Street, North Melbourne, Victoria, Australia, Die-sinker, and CHRISTOPHER WEBER HERMANN, of 6 Stewart Street, Windsor, Victoria aforesaid, General Engraver. A multi-colour self-inking stamp-pad.

Claims.—(1.) A stamp inking-pad frame constructed with vertical partitions integral therewith containing independent pads adapted to be soaked with inks of various colours, and an adjustable guide fitting around said frame, substantially as described and illustrated, and for the purposes set forth. (2.) In combination with a stamp-pad frame 1, 1a, having vertical partitions 4 and 5 containing independent pads, a guide 12 fitting on flanges 2 around said frame, and means as 13 for the removal thereof, substantially as and for the purposes set forth. (3.) A stamp-pad-inking frame constructed with a vertical border partition and a plurality of partitions each containing an independent pad of absorbent material whereby the border of a stamp and the figuring may be differently coloured, and an adjustable guide fitting around said frame, substantially as and for the purposes set forth. (4.) A stamp-inking-pad frame constructed with a plurality of circular or oval divisions or compartments each containing an independently inked pad, whereby a multi-colour stamp-impression may be obtained, substantially as described. (5.) A stamp inking-pad constructed substantially as described with reference to Fig. 3 of the drawings, and for the purposes set forth.

(Specification, 4s. ; drawing, 1s.)

No. 21808.—18th September, 1906.—EUSTACE WILLIAM ACKLAND, of Dunedin, New Zealand, Electrical Engineer. Improvements in and relating to conduits for electrical cables and wires.*

Claims.—(1.) A circular pipe having a longitudinal slot cut therefrom to receive electrical cables and wires, and a filling of bitumen or the like for the purpose of forming an electrical conduit, substantially as described. (2.) Making a conduit for electrical cables and wires on the solid system by first making circular pipes of cement or the like, cutting from the walls thereof when green or not set longitudinal strips, allowing the pipes to set or be made hard, digging a narrow shallow trench substantially in the direction it is desired to lead the conduit, placing the pipes in said trench, and then in the usual manner laying cables or wires therein and filling up the pipe with bitumen or the like, substantially as described.

(Specification, 4s. ; drawing, 1s.)

No. 22157.—20th February, 1906.—ALEXANDRE TROPENAS, of 10 Grande Rue, Montelimar, Drome, France, Engineer. Improvements in the manufacture of steel by the pneumatic process.

[NOTE.—This is an application under section 106 of the Act, the date given being the official date of the application in France.]

Claim.—In the manufacture of steel by the pneumatic process in small charges in a converter, the addition of ferrosilicon or high siliceous iron in small quantity (varying according to the analysis of the iron treated) immediately after or very little time after the appearance of the carbon flame, thus not changing in any way the evolution or pro-

gression of the carbon flame, and permitting the characteristic signs of this flame to be used for the stopping of the operation at the precise moment when the fining is finished; or, in other words, permitting a given quality or grade of steel with the percentage of carbon required to be obtained without excess of silicon or excess of oxide of iron, and allowing this quality to be repeated indefinitely in different charges practically without variation, in the manner and for the purposes substantially as described, and illustrated on the sheet of drawings.

(Specification, 8s. 6d. ; drawing, 1s.)

No. 22248.—27th December, 1906.—JOHN DARNELL, of 6 Darragh's Buildings, Queen Street, Brisbane, Queensland, Australia, Boot and Shoe Agent. Pneumatic rubber attachment to heels of boots and shoes.

Claims.—(1.) The means for preventing vibration in boots and shoes by inserting a pneumatic rubber cushion between the leather or other wearing top-piece and the remainder of the heel proper, substantially as described. (2.) The method of fastening the top-piece to the pneumatic cushion and remainder of boot-heel by a screw, as illustrated and described. (3.) The method of fastening the top-piece to cushion-piece and remainder of boot-heel by one or more screws, as illustrated and described.

(Specification, 2s. 6d. ; drawing, 1s.)

No. 22307.—14th January, 1907.—PERCY LLOYD SMITH, of "Latona," Shaftesbury Parade, Northcote, Victoria, Australia, Inventor. An improved connection for pneumatic pumps.

Claims.—(1.) An improved connection for pneumatic pumps: In combination, a bent metal tube having a screw thread at one end, the other end being provided with a flange, a cylindrical piece consisting of an outer casing and an insertion-piece forming a swivel joint with the metal tube, an internal screw thread cut in the insertion-piece, a collar surrounding the tube, and washers to keep the connection airtight, substantially as and for the purposes set forth. (2.) An improved connection for pneumatic pumps: In combination, means for allowing a swivelling movement of the connection, consisting of a tube having a flange which fits into a recess formed in a cylindrical piece as G, substantially as and for the purposes set forth. (3.) The combination and arrangement of the several parts forming a complete connection for pneumatic pumps, substantially as described and as illustrated in the drawings.

(Specification, 2s. 9d. ; drawing, 1s.)

No. 22312.—15th January, 1907.—GEORGE MACKANESS, of St. George's Crescent, Drummoyne, Sydney, New South Wales, Australia, Machinist, and JOHN BARNES, of Raglan Street, Mosman, Sydney aforesaid, Commercial Traveller. Improvements in and relating to screw propellers.

Claims.—(1.) A screw propeller having manifold blades of varying diameters arranged in clusters aslant of the axis of the hub or boss, such blades being similarly proportioned up to the limit of their respective diameters based upon the predetermined areas of the maximum and minimum diameters of the largest and smallest blades, substantially as set forth. (2.) In a screw propeller having manifold blades arranged aslant of the axis of the hub or boss, a standard blade of predetermined maximum diameter proportioned as may be desired, and a series of diminished blades similarly proportioned to the standard blade, and adapted to be arranged in sets or clusters either upon a boss or in association with a number of bosses, substantially as and for the purposes set forth. (3.) In a screw propeller with manifold blades arranged in clusters upon a single boss or a number of bosses, the combination with a cluster of standard blades of a series of clusters of diminished blades disposed in correlative positions to the standard blades, producing an overlapping of the blades in the convoluted line of sight when viewed either from the front or rear, substantially as set forth. (4.) In a screw propeller having manifold blades, the grouping or clustering of the diminished blades in correlative positions in the convoluted line of sight, but oppositely disposed to the natural or ordinary pitch of the screw, substantially as and for the purposes set forth. (5.) In a screw propeller having convoluted lines of overlapping blades, the combination of a standard blade, or series of such, and a number of diminished blades arranged in the same convoluted line of sight, with

the convoluted spaces or channels formed between said blades and likewise oppositely disposed to the natural or ordinary pitch of the screw, substantially as and for the purposes set forth. (6.) An improved screw propeller consisting of a hub or boss, or a number of bosses in substitution for a single boss, with a rearward conical end, in combination with a series of relatively proportioned blades disposed thereupon in clusters aslant of the axis, and overlapping each other in the convoluted line of sight; the convoluted channels (likewise oppositely disposed to the natural or ordinary pitch of the screw) formed between the lines of overlapping blades, the rearward blades forming a standard for proportioning the diminished blades, and the front and rear blades whose predetermined maximum and minimum diameters are used to determine the proportionate areas of the associated intermediate blades, substantially as and for the purposes set forth.

(Specification, 7s.; drawing, 3s.)

No. 22316.—15th January, 1907.—GODFREY BENINGTON JOHNSON, of 8 Victoria Street, Westminster, England, Engineer. Improvements in machinery for corrugating metal sheets.

Claims.—(1.) In a machine for corrugating sheet metal, comprising pairs of rolls each consisting of an arbor having splined upon it a number of roll-sections normally held apart by spring pressure, the employment, for determining the normal distance apart of said sections in a roll, of stops slidable upon the arbor, and leading-screws journaled in bearings carried by the arbor, successive portions of the length of each leading-screw having threads of progressively varying pitch which engage in threaded apertures in the respective stops, so that by the rotation of the screw the positions of all the stops wherewith it engages may be simultaneously adjusted, substantially as described. (2.) In apparatus constructed substantially as specified in claim 1, making the successive portions of each leading-screw, which have threads of progressively varying pitch, of progressively diminishing diameter, counting from either end of the roll, substantially as and for the purpose set forth. (3.) In apparatus constructed substantially as specified in claim 1, providing each roll with independent leading-screws extending in opposite directions from a point in the length of the roll, and adapted to enable the stops with which said screws respectively engage to be adjusted independently and in opposite directions, substantially as described.

(Specification, 7s. 6d.; drawing, 2s.)

No. 22332.—23rd January, 1907.—FERDINAND GEORGE PHILPOT, of Lindenow, Victoria, Australia, Carpenter. Improvements in washboards or attachments thereto.

Claims.—(1.) In a washboard rubbing-surface, a soap-well. (2.) In a washboard, a soap-well having a resilient base on which to place the soap. (3.) Means to support yieldingly a base for soap in a well in or attachable to a washboard. (4.) Means to adjust or vary the normal height of a base for supporting soap in a well in or attachable to a washboard. (5.) A soap-well located adjoining a washboard rubbing-surface so that clothes may become soaped during the rubbing thereof. (6.) As an attachment for washboards, a receptacle for soap, in combination with spring means outside thereof adapted to press the said receptacle against the rubbing-surface of the washboard. (7.) A washboard-well having means to support soap yieldingly, and means to adjust the normal height of the soap-support. (8.) In combination, a washboard rubbing-surface, a well, a soap-support therein, one or more springs under the support, a pillar under the support, and means to raise or lower the pillar at will. (9.) A washboard-well for soap, a screw-threaded pillar beneath a soap-support therein, a spring or springs under the said support, an aperture in the well through which the pillar projects, and a nut or the like engaging the said pillar. (10.) In combination with a washboard, a well having a base to support soap, means to raise the base, and a slot in the well-side to allow said means room to act. (11.) The combination of the parts illustrated in Fig. 2, as a soaping-device for washboards, substantially as described. (12.) The combination of the parts illustrated in Fig. 3, as a soaping-device for washboards, substantially as described. (13.) The combination of the parts illustrated in Fig. 4, as a soaping-device for washboards, substantially as described. (14.) The combination of the parts illustrated in Fig. 7, as a laterally movable soaping-device for washboards.

(Specification, 5s. 9d.; drawing, 1s.)

No. 22335.—23rd January, 1907.—JOHN WILFRED DALTON, of Sandwich, Barnstable, Massachusetts, United States of America, Mechanic. Improvements in breeches buoys.

Claims.—(1.) A breeches buoy having means of signalling operated as a result of the person occupying the buoy, substantially as described. (2.) In connection with claim 1, the pull for operating the signal, said pull being operated by the weight of the persons in occupying the breeches, substantially as described. (3.) In connection with a breeches buoy, means for displaying a signal light operated automatically when the breeches are occupied, substantially as described. (4.) In connection with a life-saving buoy and its traveller-block, a cushion suspended by the lanyards over the head of the occupant of the buoy and beneath the traveller-block, substantially as described. (5.) In connection with the life-saving buoy, a cushion in the form of a buoy arranged over the occupant's head to protect him from injury from the traveller-block, substantially as described. (6.) A breeches buoy having a rigid means for supporting the traveller-block from beneath, substantially as described. (7.) In connection with a breeches buoy and its traveller-block, a cushioning-device supported by the lanyards and the rigid supports for the traveller-block between the cushioning-device and the traveller-block, said cushioning-device preferably being buoyant, substantially as described. (8.) In connection with the features of claim 6, making the supports for the traveller-block tubular and placing them upon the lanyards, substantially as described. (9.) In a breeches buoy, the signal-box, the traveller, the lanyards, and the spreader for the lanyards adjacent the signal-box, substantially as described.

(Specification, 5s.; drawing, 2s.)

No. 22336.—23rd January 1907.—WILLIAM ERNEST HUGHES, of Queen's Chambers, Wellington, New Zealand, Registered Patent Agent (nominee of Fred Starr, Mechanic, a citizen of the United States, residing at No. 1581, 11th Avenue, San Francisco, California, United States of America). Wave motors.

Extract from Specification.—In constructing such motors it is desirable that the float, to be effective, should be of large area and considerable tonnage. But during a storm, when the power and force of the waves are very great, the float is liable to damage itself. Such liability to damage can be prevented by changing the position of the float so that it is no longer exposed to the direct action or full force of the waves. This can be done by raising it above them or sinking it below them; but owing to the weight of the float it is better to submerge it. I therefore prefer to either wholly or partially sink or submerge it, which I do by increasing its weight. It can be constructed as a hollow barge adapted to receive water ballast. As the wave-agitation is superficial and quickly decreases downwardly, it is evident that by sinking the float to a greater or less extent the force of the waves may be utilised to the desired extent without the danger of damage, as above indicated, or by sinking the float to the bottom it will remain substantially stationary.

[NOTE.—The above extract from the specification is inserted in place of the claims.]

(Specification, 12s. 6d.; drawing, 3s.)

No. 22337.—23rd January, 1907.—ADOLPHUS SYDNEY FRANCIS, of 155, Farringdon Road, London, England, Engineer. Improvements in gas-lamps for inverted incandescent burners.

Claims.—(1.) An inverted incandescent gas-lamp comprising a gas-supply pipe, a flared or trumpet-shaped chimney, a number of vertical holes arranged in the sides of such chimney, and a number of straight or approximately vertically arranged inverted Bunsen burners passing through said holes in such manner that the points of the burners, where the mantles are mounted, are within the circumference of the trumpet-shaped chimney and the mixing-chambers of said burners are outside of the chimney, substantially as described. (2.) The constructions of inverted incandescent lamps as described, or shown on the drawings.

(Specification, 5s.; drawing, 4s.)

No. 22340.—23rd January, 1907.—WILLIAM GEORGE, of Invercargill, New Zealand, Farmer. An improved milking-pail.

Claim.—In milk-pails, strips of metal with roughened outer surfaces secured upon the outer face of the pail at points diametrically opposite to each other, substantially as and for the purposes specified.

(Specification, 1s. 6d.; drawing, 1s.)

No. 22341.—23rd January, 1907.—THE CHEMICAL INDUSTRIAL SYNDICATE, LIMITED, of 27 and 28 Old Jewry, London, E.C., England (assignees of Louis Stange, of 84 Bismarckstrasse, Aix-la-chapelle, Germany, Chemist). Improvements in the manufacture of matches and igniting-surfaces therefor.

Extract from Specification.—The use of the following ingredients: Chlorate of potassium (KClO_3), powdered glass, sulphur, glue, anhydrous diazobenzene-sulphonic acid, rosin, water.

[NOTE.—The above extract from the specification is inserted in place of the claims.]

(Specification, 3s. 9d.)

No. 22343.—23rd January, 1907.—H. J. WEST AND CO., LIMITED, of 116 Southwark Bridge Road, Surrey, England, Engineers (assignees of Lenig Chew, of 116 Southwark Bridge Road aforesaid). Improved process and apparatus for chilling and carbonating beer and other beverages.

Claims.—(1.) The improved process for chilling and carbonating beer and other beverages which consists in first cooling the beverage and carbonic-acid or other gas, both together, to the same or nearly the same temperature; in then submitting the beverage and gas, both together, to pressure, and in then completing the carbonation, with or without further refrigeration, under a higher pressure than that at which the first cooling is effected, substantially as described. (2.) Apparatus for carrying out the process forming the subject-matter of the first claiming clause hereof, which consists of a gas receiver and cooler adapted to receive and cool the beverage and gas both together, a saturating-compressor adapted to withdraw the beverage and gas from the gas receiver and cooler and to compress the same, and a storage-reservoir adapted to complete the carbonation under a higher pressure than that at which the cooling and partial carbonation is effected in the receiver and cooler, combined and operating substantially as described. (3.) In apparatus for chilling and carbonating beverages of the kind described, the use of a saturating-compressor which consists of a pump, the capacity of which is smaller at one side of the piston than at the other, the smaller capacity being adapted to pump the beverage to be treated into the gas receiver and cooler, and the larger capacity to pump the beverage, together with the carbonic-acid or other gas, from the gas receiver and cooler, and to force them both together into the storage-reservoir, substantially as described. (4.) Apparatus for chilling and carbonating beer and other beverages which consist of a gas receiver and cooler, a saturating-compressor comprising a pump for delivering the beverage to be treated to the gas receiver and cooler, a pump for withdrawing the beverage and gas from the gas receiver and cooler, compressing the same and forcing them into the storage-reservoir, and a storage-reservoir combined and operating substantially as described. (5.) In apparatus for chilling and carbonating beverages of the kind described, the use of a saturating-compressor consisting of a pump provided with means for varying the stroke of the piston, substantially as and for the purpose specified. (6.) In apparatus for chilling and carbonating beverages of the kind described, the use of a saturating-compressor consisting of a pump provided with means for varying the clearance between the piston and the end of the pump-cylinder, substantially as and for the purpose specified.

(Specification, 13s.; drawing, 1s.)

No. 22346.—23rd January, 1907.—MACPHERSON ROBERTSON, of Argyle Street, Fitzroy, Victoria, Australia, Confectionery-manufacturer. Improvements in means for and mode of manufacturing coated articles, such as chocolate confections.

Claims.—(1.) A mode of preparing such confections as chocolate-coated ones, consisting in placing each confection as soon as coated upon a supporting-member in a receptacle

wherein the confections are exposed to the drying influence of cold air forced into the receptacle, substantially as described. (2.) In manufacturing coated confectionery and like articles, placing the same with undried coats within a receptacle having an open-fronted chamber or chambers, from the top of which cold air is forced down and caused to pass over the said articles. (3.) Drying chocolate-confection coatings by the forcible impact thereon of cold air. (4.) A receptacle having means for the entrance of cold air, and slits or other fine exits located higher than a support or supports for confections or other articles having coatings to be dried on. (5.) A receptacle as mentioned in the preceding claim having a front open to the operative who is to place confections or articles therein, and having also a side open or openable to another operative, substantially as described. (6.) The combination of parts forming a receptacle for the purpose set forth, substantially as illustrated in Fig. 1.

(Specification, 4s. 6d.; drawing, 1s.)

No. 22347.—23rd January, 1907.—HARRY ROBERT LEES, of Daylesford, Victoria, Australia, Teacher of Music. Improvements in machines applicable for harvesting potatoes and other purposes.

Claims.—(1.) In a machine of the class indicated, a revolvable drum having digging-forks, screening-means, potato-raising means, and shoots or conveying-means, substantially as described. (2.) In combination with a revolvable drum having means to dig, clean, screen, and deliver potatoes, gear wheels, substantially as illustrated, to drive the same, and means (as a lever and connections to framing) to separate the said wheels at will. (3.) In combination with a revolvable drum having forks to dig and pockets to raise potatoes, a casing located in front of the forks as described, and a shoot within the ring of pockets to deliver to a screen forming part of the drum. (4.) In combination with a revolvable drum having means to deliver potatoes and earth sideways to a screen, an oblique raisable share or shares behind the drum to return to the trench earth falling through the screen. (5.) In a machine of the class indicated, the construction of framing and means illustrated in Fig. 1 for adjusting in desired position the upper part thereof. (6.) In a machine of the class indicated, the ring of forks and their pockets, the frontal casing, the shoot supplied with material by the said pockets, the receiving-screen and the oblique rear share, substantially as illustrated in Figs. 1 and 2. (7.) In a machine of the class indicated, road-wheels provided with wheels *n* gearing with wheels *m* on the axle of a drum having a ring of digging-forks on one side and a ring of raising and delivering pockets on the other, the drum being revolvable in the plane of travel of the machine. (8.) The construction of parts shown in Figs. 1 and 2 as a whole, substantially as described.

(Specification, 5s. 9d.; drawing, 1s.)

No. 22353.—24th January, 1907.—CHARLES CYRUS BULLOCK, of No. 86 Lane Cove Road, North Sydney, New South Wales, Australia, Licensed Surveyor. Improved contrivances for the capture of rabbits and like animals.

Claims.—(1.) Improved contrivance for the capture of rabbits and like animals, consisting essentially of overplus length and overplus breadth of flexible netting—say, vertically set—slidable on cords between posts or pickets, and adapted to pocket at points of attack, substantially as described. (2.) Improved contrivance for the capture of rabbits consisting of a series of pocketing-nets, as set forth in the preceding claim, combined with nosing or directing nets or fences, substantially as described and explained. (3.) The particular construction of pocketing-nets between posts or pickets, for the purposes set forth, substantially as described and explained and as illustrated in the drawings. (4.) The construction of contrivances for the capture of rabbits and like animals consisting of the parts or integers combined for the purposes set forth, substantially as described and explained and as illustrated in the drawings.

(Specification, 4s. 6d.; drawing, 1s.)

No. 22355.—24th January, 1907.—JAMES EDWARD WILLIAMS, of Mawhera Quay, Greymouth, New Zealand, Tailor. An improved game.

Claims.—(1.) Apparatus for playing games comprising a bar horizontally supported by side pieces at a height above a level surface, such side pieces being adaptable in their width apart, and a barrier enveloping the back and ends of the bar,

substantially as specified. (2.) Apparatus for playing games comprising the combination with the bar and barrier referred to in the preceding claim, of a missile, such as *e*, adapted to pass beneath the bar, substantially as specified and as illustrated in the drawings.

(Specification, 2s. 6d. ; drawing, 1s.)

No. 22365.—29th January, 1907.—WALTER EDWARD ADAMS, of Cremorne Point, North Sydney, New South Wales, Australia, Civil Engineer. Improvements in the construction of walls.

Extract from Specification.—My invention consists essentially in a method of construction of walls of the class which I have described, by means of the manufacture portably of a series of elemental pieces or parts of such walls in reinforced concrete, and their subsequent erection side by side in a substantially vertical position, in straight or curved lines, to form the walls; the stability being accomplished either by the appropriate base-width of the individual pieces, or by a cheaper class of dead-weight filling, or by both in combination, and in some cases by the use of land ties. In order to thus greatly reduce the weight of these elemental pieces, and in order also to reduce to a minimum the employment of material of a relatively costly class, I make these elemental pieces in the form of frames, consisting, when viewed in side elevation, of an articulation of members having a generally triangular form.

[NOTE.—The above extract from the specification is inserted in place of the claims.]

(Specification, 7s. 6d. ; drawing, 2s.)

No. 22372.—31st January, 1907.—JEAN MOLAS, of 94 Hewitt Road, Harringay, London, England, Civil Engineer, and JOHN ALFRED SMERTON, of 16 Sheriff Road, West Hampstead, London, England, Engineer. Improvements in reversible turbines.

Claims.—(1.) A reversible turbine in which the rotative and directive elements are adapted to interchange their functions to enable reversal of motion to be effected without reversal of the direction of flow of the motive fluid, characterized by the fact that each circle or hoop of vanes is separate and without permanent connection with any other part or with any adjacent hoop of vanes, the said hoops being surrounded by a stationary casing and having a revoluble shaft or rotor core passing centrally and freely through them, while means are provided whereby alternate separate hoops of vanes can be selected and fixed to the stationary casing, while the remaining separate hoops of vanes can be selected and fixed to the rotor or revoluble shaft according to the direction of motion required. (2.) A constructional form of the reversible turbine according to claim 1, characterized by the fact that in order to enable the separate hoops to be selected and locked alternately to the casing and to the rotor the outer and inner peripheries of the vane-carrying hoops are notched, and two sets of toothed racks—9, 10—are provided, respectively sliding in grooves formed in the casing 1 and in the rotor 7, the teeth on the racks being spaced apart so as to engage only the notches of alternate hoops, and mechanism for simultaneously moving the racks composing both sets in one or other direction equal to the thickness of one hoop, whereby alternate hoops will become locked to the casing and the remaining hoops to the rotor, or *vice versa*, according to the direction of the motions given to the racks. (3.) A form of construction of the reversible turbine according to claims 1 and 2, in which the teeth of the racks 9, 10, are formed wedge-like, the narrower ends of the teeth facing towards the motive-fluid inlet of the turbine and forming the notches in the vane-carrying hoops with which the teeth are to engage, so that the side of each notch which contacts with the teeth is correspondingly bevelled, and the opposite side of the same notch is clear of the teeth, so that each tooth during its movement will be clear of that side of the notch which it is leaving and may at the same time maintain sliding contact with that side of the notch in the next hoop with which it is passing into engagement, whereby the teeth are prevented becoming interlocked with the notches of all the hoops simultaneously. (4.) A form of construction of the reversible turbine according to claims 1 and 2, in which the racks 9, 10, are controlled and moved by variations of fluid-pressure, the rotor-carried racks 10 being connected to a revoluble low-pressure piston 23 constantly acted upon by reduced fluid-pressure, while the racks 9 are connected to a non-revoluble high-pressure piston 25, both pistons being arranged to slide upon a stationary sleeve within the turbine,

through which sleeve the driven motor-shaft passes, the high- and low-pressure pistons being normally in contact and held in one position by the reduced pressure, and means for admitting high pressure to act upon the high-pressure piston, and so to carry both pistons together with both sets of racks in the opposite direction. (5.) A form of construction of the reversible turbine according to claims 1 to 4 in which the motive fluid on the one hand is admitted at the ends and exhausted centrally after passing through the hoops of vanes, whereby endwise pressure is eliminated, while on the other hand the hoops of vanes are made of increasing diameters in the direction of flow of the pressure fluid so as to provide progressively increasing area of passage to allow of expansion of said fluid, while the separate hoops of vanes are made of sufficiently easy fit within the casing and upon the rotor that when acting rotatively the hoops are enabled to assume their proper axis of rotation.

(Specification, 19s. ; drawing, 4s.)

An asterisk (*) denotes the complete specification of an invention for which a provisional specification has been already lodged.

NOTE.—The cost of copying the specification and drawing has been inserted after the notice of each application. An order for a copy or copies should be accompanied by a post-office order or postal note for the cost of copying.

The date of acceptance of each application is given after the number.

Extracts from the drawings accompanying the foregoing complete specifications appear at the end of this *Gazette*.

J. C. LEWIS,
Deputy Registrar.

Provisional Specifications accepted.

Patent Office,
Wellington, 20th February, 1907.

APPLICATIONS for Letters Patent, with provisional specifications, have been accepted as under:—

- No. 21878.—J. M. Craigie, boot.
- No. 22024.—G. T. Wilson and H. Downs, railway fishplate.
- No. 22348.—F. S. Buckingham, animal trap.
- No. 22356.—A. H. Byron and R. R. Richmond, calculating-protractor.
- No. 22361.—R. S. Shepherd, bedstead-foot.
- No. 22376.—T. B. Brock, appliance for filling bags.
- No. 22384.—T. Hawes, indicator.
- No. 22389.—A. G. Jackson, mechanism for totalisator.
- No. 22392.—C. G. Lehmann, harvesting-machine.
- No. 22406.—R. S. C. Brown, trolley-pole.
- No. 22217.—A. Morgan, apparatus for operating electric bells.
- No. 22232.—A. Jack, production of gas from hydrocarbon oils.
- No. 22274.—A. H. Byron and R. R. Richmond, signal lamp.
- No. 22294.—F. Cooper, method of street-watering.
- No. 22301.—W. Stone, tent-peg.
- No. 22305.—F. Parker and B. T. Higgins, scaffold-bracket.
- No. 22311.—E. M. Johnson, food for fattening calves.
- No. 22315.—G. C. de Witt, production of pigment from sulphide ores.
- No. 22319.—T. Roberts, window.
- No. 22324.—J. A. Rollo, weeding-machine.
- No. 22333.—R. B. Topp, gauge for oil-tank of oil-engine.
- No. 22334.—T. Whitehorn, apparatus for packing bags.
- No. 22357.—A. H. Byron and R. R. Richmond, shafting of steam vessels.
- No. 22359.—A. Ashcroft and C. Richardson, process for distilling gum.
- No. 22381.—J. Graham, grindstone.

NOTE.—Provisional specifications cannot be inspected, or their contents made known by this office in any way, until the complete specifications in connection therewith have been accepted.

Letters Patent sealed.

LIST of Letters Patent sealed, from the 4th to the 20th February, 1907, inclusive:—

- No. 19966.—W. E. L. Laugesen and L. E. Hogbacka, saw-bench and surface-planer.
- No. 20219.—J. C. Fraser, steam turbine.
- No. 20278.—W. J. J. Griffiths, means for securing animal-covers.

- No. 20296.—W. C. Page, means for securing wheels on their axles.
- No. 20319.—W. Hall, threshing-machine.
- No. 20342.—J. Trounson, scrub and fern cutter.
- No. 20357.—A. H. Allen, blow-lamp or burning-off torch.
- No. 20366.—W. Stone, window-sash.
- No. 20380.—T. G. Haigh, whisking-machine.
- No. 20514.—United Xpedite Finishing Company, heel-finishing machine. (C. B. Tuttle.)
- No. 20530.—H. P. Keogh, ore-treatment.
- No. 20554.—United Shoe Machinery Company, sole-pressing pad. (H. A. Davenport.)
- No. 20555.—J. H. Booth, turn-coupling.
- No. 20571.—J. A. Easton and J. Greenfield, horse-feed box.
- No. 20610.—T. Bassett, draft of binder, &c. (C. H. McCormick.)
- No. 20730.—J. V. N. Dorr, separation of materials in liquid.
- No. 20926.—J. M. Ferriss, jun., lumber-unloading mechanism.
- No. 20956.—Dr. H. Colloseus, manufacture of cement.
- No. 20982.—D. Anderson, incandescent mantle.
- No. 21005.—J. T. Hunter, machine for casting curved stereotypes. (The Printing Machinery Company, Limited—H. A. W. Wood.)
- No. 21070.—D. G. McKenzie, change-register.
- No. 21270.—W. Taylor, railway-point operator.
- No. 21282.—J. R. Masson, means for recovering antimony, &c., from ores.
- No. 21338.—L. Schmidt, tire.
- No. 21394.—W. E. Hughes, machine for casting curved stereotypes. (The Printing Machinery Company, Limited—H. A. W. Wood.)
- No. 21404.—C. G. Merkley and H. C. Jessep, trolley-wire clip.
- No. 21405.—Aktiebolaget Separator, milking-machine. (B. and F. Ljungström.)
- No. 21406.—K. Birkeland and S. Eyde, apparatus for treating materials at high pressure.
- No. 21429.—G. Westinghouse, turbine.
- No. 21430.—O. Kjellström, manufacture of concrete pipes.
- No. 21450.—C. E. Adamson, rotary copying-press.
- No. 21467.—J. Grant, disc cultivator.
- No. 21477.—T. P. Quinn and J. E. T. McEwen, window-fastener.
- No. 21513.—R. Brown, electric switch.
- No. 21553.—I. W. Rubel, transfer-printing.
- No. 21554.—J. V. M. Risberg, liner for centrifugal separator.
- No. 21555.—M. Nicholas, dyeing-apparatus.
- No. 21556.—C. E. Flint and D. Barclay, tape measure.
- No. 21557.—A. Mole, window-sash.
- No. 21605.—G. Campling, suction denture.
- No. 21606.—The Mount Lyell Mining and Railway Company, Limited, ore-feeder. (F. S. Sanderson.)
- No. 21632.—G. H. Earp-Thomas, preparation, &c., of organisms which gather atmospheric nitrogen.
- No. 21643.—J. F. Linke and M. S. Noack, disc plough.
- No. 21661.—Barber's Interchanging Heel Company, Limited, means for securing tips, &c., of boots. (W. Barber.)
- No. 21662.—The Witch Dust Extractor Company, Limited, and W. Griffiths, vacuum apparatus.
- No. 21663.—L. B. de Laitte, production of carburetted air.
- No. 21674.—G. S. Morison, brake.
- No. 21698.—J. Gill, rotary engine.
- No. 21700.—E. Deister, driving-mechanism for ore-concentrator.
- No. 21711.—W. Thorburn, instrument for levelling, &c. angles.
- No. 21740.—J. B. Marshall, rock-drilling machine.
- No. 21742.—T. A. S. Wood, cleaning, &c., apparatus.
- No. 21770.—P. B. Delany, telegraphic apparatus.
- No. 21779.—J. Tinker, speed-indicator.
- No. 21785.—W. E. Hughes, railway destination-board operator. (J. Gleeson and T. C. Allen.)
- No. 21798.—H. F. Bonesteele and R. B. Rutherford, wire stretcher and splicer.
- No. 21799.—G. R. Bonnard, G. W. Beynon, and G. H. McKillop, pulverising, &c., machine.
- No. 21833.—United Shoe Machinery Company, skiving-machine. (F. L. Alley and W. Pack.)
- No. 21834.—J. A. Linley, preservative treatment of food. (A. E. Sherman and J. B. Linley.)
- No. 21860.—V. C. J. Nightingall, filter.
- No. 21900.—J. Gordon, glass tiles for walls.
- No. 21917.—P. Rabbidge, indicator.
- No. 21925.—C. H. Thorby, screw-driving machine.
- No. 21954.—E. M. Tomlinson, hand signalling-lantern.
- No. 21982.—F. S. Greer, rabbit-destruction.
- No. 21985.—D. J. Kelly, slime-filtering apparatus.

Letters Patent on which Fees have been paid.

[NOTE.—The dates are those of the payments.]

SECOND-TERM FEES.

- No. 15937.—J. Trevethick, manufacture of broom-heads. 4th February, 1907.
- No. 15964.—C. Ridd and C. E. Young, probe for cow's teat. 9th February, 1907.
- No. 16010.—F. J. and J. H. McShane, ore-concentrator. (R. E. and E. Waugh.) 4th February, 1907.
- No. 16015.—D. Clark, plant-thinner. 4th February, 1907.
- No. 16029.—S. G. Dickson, machine for manufacturing horse-shoes. 13th February, 1907.
- No. 16415.—Aktiebolaget Multipelturbin, turbine. (T. G. E. Lindmark.) 5th February, 1907.
- No. 16621.—T. A. Edison, ore-separation. 6th February, 1907.

THIRD-TERM FEES.

- No. 12304.—The Schmidt Steam-power Parent Company, Limited, drying and superheating wet steam. (W. Schmidt.) 15th January, 1907.
- No. 12305.—The Schmidt Steam-power Parent Company, Limited, regulating superheated steam in compound engines. (W. Schmidt.) 15th January, 1907.
- No. 12306.—The Schmidt Steam-power Parent Company, Limited, compound engine. (W. Schmidt.) 15th January, 1907.
- No. 12389.—Darling's Patent Automatic Coupling, Limited, coupling and uncoupling railway-carriages. (J. Darling and J. Darling jun.) 5th February, 1907.
- No. 12393.—W. Kingsland, electrical traction. 13th February, 1907.
- No. 12394.—W. Kingsland, electrical traction. 13th February, 1907.
- No. 12452.—F. E. Elmore, separating metals from ores. 4th February, 1907.

Subsequent Proprietors of Letters Patent registered.

[NOTE.—The name of the patentee is given in brackets; the date is that of registration.]

- No. 10956.—Donald McCormick Fuller, of Victoria Street, Wellington, New Zealand, Plumber, registered as proprietor by way of mortgage of the interest of William Milligan. Bracket for fixing ogee spouting. [T. Ballinger and W. Milligan.] 6th February, 1907.
- No. 17895.—Michel Francois Albert, of Sydney, New South Wales, Australia, Merchant. Massage apparatus. [J. H. King—J. C. Oakman—L. Synder.] 16th February, 1907.
- No. 19827.—Adam Corrie, of Wanganui, New Zealand, Farmer, registered as proprietor of one-eighth share. Branding-appliance. [W. T. Nuttall.] 16th February, 1907.
- No. 19998.—John Bary, of Renwicktown, in the Colony of New Zealand, registered as proprietor of one-half share. Cleaning tails off flax. [T. Branton.] 15th February, 1907.
- No. 19998.—John Bary, of the Town of Renwick, near Blenheim, in the Colony of New Zealand, registered as proprietor of the remaining half-share. Cleaning tails off flax. [T. Branton.] 15th February, 1907.

Applications for Letters Patent abandoned.

LIST of applications, with which provisional specifications only have been filed, abandoned (i.e., complete specifications not lodged), from the 7th to the 20th February, 1907, inclusive:—

- No. 20969.—J. Marriner and C. W. Dallaston, card game.
- No. 20971.—K. Matthews, non-refillable bottle.
- No. 20974.—D. Hartnell, flax-machine.
- No. 20977.—E. Dane, hydraulic ram.
- No. 20978.—J. R. Parker, ladder.
- No. 20986.—W. Beamish, account, &c., forms.
- No. 20987.—J. Carter, game.
- No. 20988.—D. Macpherson, button.
- No. 20991.—F. Sewell, propelling vessels.
- No. 20998.—F. Armstrong, drilling teeth.
- No. 21001.—J. M. Deschamps, fencing-dropper.

- No. 21002.—W. Bary, swingletree.
 No. 21011.—D. Ross and E. W. Pulver, cigarette-holder.
 No. 21013.—F. J. Corbett, food and tonic.
 No. 21018.—A. A. Pinches, clothes-prop.
 No. 21022.—A. Harris, telegraph-wire insulator.
 No. 21024.—A. McLeod, smoke-consumer and gas-generator.
 No. 21032.—B. W. White, preparing metal plates for printing.
 No. 21033.—J. McMahon, sling for lifting animals.
 No. 21036.—J. H. L. Barry, apron for reaper-and-binder.
 No. 21039.—D. Marshall, picture-frame clamp.

Applications for Letters Patent void.

APPLICATIONS for Letters Patent, with which complete specifications have been lodged, void, owing to non-acceptance of such complete specifications, from the 7th to the 20th February, 1907, inclusive:—

- No. 20297.—V. Nalty, tire.
 No. 20338.—R. F. Thomas and S. A. Bradley, fruit-case.

Applications for Letters Patent lapsed.

LIST of Letters Patent lapsed, owing to Letters Patent not being sealed, from the 7th to the 20th February, 1907, inclusive:—

- No. 19873.—J. Hereus, F. W. Barton, and W. Morton, food-protector for animals and birds.
 No. 19875.—R. R. Douglas, bucket-link of dredge.
 No. 19886.—H. Quertier, trolley-wheel.
 No. 19895.—J. McMaster, mouth for flax-scatcher.
 No. 19898.—F. W. Payne, screw for removing and replacing bushes.
 No. 19899.—C. B. Smith, counter-sales book.
 No. 19902.—W. Adams, fine-gold extractor.
 No. 19932.—J. Crook, broom-rack.

Letters Patent void.

LIST of Letters Patent void through non-payment of renewal fees, and through expiry of term of fourteen years, from the 7th to the 20th February, 1907, inclusive:—

THROUGH NON-PAYMENT OF SECOND-TERM FEES.

- No. 15623.—R. E. Pennington and J. Bellett, lock-nut plate.
 No. 15634.—The British and Colonial Waterproof Company, Limited, waterproofing composition. (G. F. Newman.)
 No. 15642.—H. Coe, plough-attachment.
 No. 15645.—F. Baertl, pressure-regulator for gas-burner.
 No. 15646.—J. A. Carruthers, electric clock.
 No. 15647.—J. A. Carruthers, electric clock.
 No. 15652.—A. Gillies, milking-apparatus.
 No. 15653.—E. R. Jennings and The "Pyrojim" Syndicate, Limited, fuel. (J. M. Jameson.)
 No. 15654.—C. P. de Lajard, wave motor.
 No. 15657.—L. Adamson, collecting rain-water from roofs.
 No. 15659.—S. Nicolson, removing bicycle-tire.
 No. 15660.—H. H. Murdoch, set-square.

THROUGH NON-PAYMENT OF THIRD-TERM FEES.

- No. 12174.—M. J. Davidsen, pulverising-mill.
 No. 12175.—H. L. Mainland, animal-trap.
 No. 12176.—W. G. and E. Munt, pianoforte.

THROUGH EXPIRY OF TERM.

- No. 6043.—The Haskin Wood-vulcanising Company, Limited, vulcanising wood. (S. E. Haskin.)
 No. 6048.—F. Kinsey and American Key Can Company, key-opening can. (J. Zimmerman.)

Design expired.

THE copyright in the following design has expired:—

- No. 146.—N. Townshend and E. J. Ritchie, of Christchurch, New Zealand. Class 1. (Bicycle.)

Applications for Registration of Trade Marks.

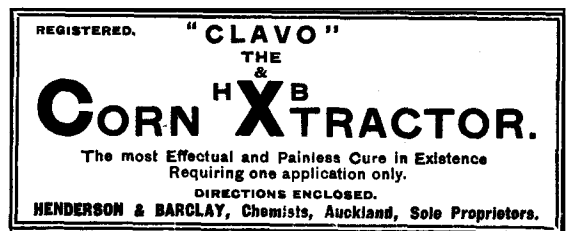
Patent Office,
 Wellington, 20th February, 1907.

APPLICATIONS for registration of the following Trade Marks have been received. Notice of opposition to the registration of any of these applications may be lodged at this office within two months of the date of this Gazette. Such notice must be in duplicate, and accompanied by a fee of £1.

No. of application: 6164.

Date: 10th September, 1906.

TRADE MARK.



The essential particulars of this trade mark are the distinctive label and the word "Clavo"; and any right to the exclusive use of the added matter is disclaimed.

NAME.

COLIN HENDERSON and STEPHEN BARCLAY, trading as "Henderson and Barclay," of Grey Street, Auckland, in the Colony of New Zealand, Chemists.

No. of class: 3.

Description of goods: Corn-cure.

No. of application: 6285.

Date: 17th October, 1906.

TRADE MARK.

EAGLE



The applicants claim that the said trade mark has been used by them and their predecessors in business in respect of the said goods since thirty years before the 2nd September, 1889.

NAME.

W. K. AND C. PEACE, LIMITED, of Eagle Works, Mowbray Street, Sheffield, England, Manufacturers.

No. of class: 5.

Description of goods: Steel.

No. of application : 6286.
Date : 17th October, 1906.

TRADE MARK.

(The mark as shown in preceding notice, No. 6285.)

The applicants claim that the said trade mark has been used by them and their predecessors in business in respect of the said goods since thirty years before the 2nd September, 1889.

NAME.

W. K. AND C. PEACE, LIMITED, of Eagle Works, Mowbray Street, Sheffield, England, Manufacturers.

No. of class : 6.
Description of goods : Machine-tools and machine-knives.

No. of application : 6287.
Date : 17th October, 1906.

TRADE MARK.

(The mark as shown in preceding notice No. 6285.)

The applicants claim that the said trade mark has been used by them and their predecessors in business in respect of the said goods since thirty years before the 2nd September, 1889.

NAME.

W. K. AND C. PEACE, LIMITED, of Eagle Works, Mowbray Street, Sheffield, England, Manufacturers.

No. of class : 12.
Description of goods : Edge tools, including files and saws.

No. of application : 6288.
Date : 17th October, 1906.

TRADE MARK.

(The mark as shown in preceding notice No. 6285.)

The applicants claim that the said trade mark has been used by them and their predecessors in business in respect of the said goods since thirty years before the 2nd September, 1889.

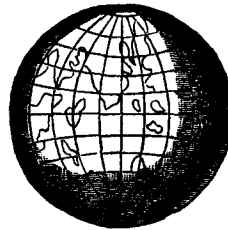
NAME.

W. K. AND C. PEACE, LIMITED, of Eagle Works, Mowbray Street, Sheffield, England, Manufacturers.

No. of class : 13.
Description of goods : Hammers, spades, shovels, hoes, anvils, vices, spanners, engineers' and other tools, not having a cutting-edge, included in this class and not included in other classes.

No. of application : 6305.
Date : 30th October, 1906.

TRADE MARK.



GLOBE

The applicants claim that the said trade mark has been used by them and their predecessors in business in respect of the said goods since the year 1857.

NAME.

IBBOTSON BROS. AND Co., LIMITED, of Globe Steel-works, Sheffield, England, Manufacturers.

No. of class : 5.
Description of goods : Steel.

No. of application : 6306.
Date : 30th October, 1906.

TRADE MARK.

(The mark as shown in preceding notice, No. 6305.)

The applicants claim that the said trade mark has been used by them and their predecessors in business in respect of the said goods since the year 1857.

NAME.

IBBOTSON BROS. AND Co., LIMITED, of Globe Steel-works, Sheffield, England, Manufacturers.

No. of class : 6.
Description of goods : Machine-knives, twist-drills, milling and other cutters, and machine-tools generally.

No. of application : 6307.
Date : 30th October, 1906.

TRADE MARK.

(The mark as shown in preceding notice No. 6305.)

The applicants claim that the said trade mark has been used by them and their predecessors in business in respect of the said goods since the year 1857.

NAME.

IBBOTSON BROS. AND Co., LIMITED, of Globe Steel-works, Sheffield, England, Manufacturers.

No. of class : 12.
Description of goods : Cutlery and edge tools, including files and saws.

No. of application : 6308.
Date : 30th October, 1906.

TRADE MARK.

(The mark as shown in preceding notice No. 6305.)

The applicants claim that the said trade mark has been used by them and their predecessors in business in respect of the said goods since the year 1857.

NAME.

IBBOTSON BROS. AND Co., LIMITED, of Globe Steel-works, Sheffield, England, Manufacturers.

No. of class : 13.

Description of goods: Hammers, anvils, vices, hoes, spades, shovels, spanners, engineers' and other tools, and metal goods generally not having a cutting-edge and not included in other classes.

No. of application : 6448.
Date : 28th January, 1907.

TRADE MARK.



The essential particulars of this trade mark are the combination of devices and the word "Sarsilade"; and applicants disclaim any right to the exclusive use of the added matter, except their name.

NAME.

THOMSON AND Co., of Invercargill, and elsewhere, in New Zealand, Cordial-manufacturers.

No. of class : 44.
Description of goods: Mineral and aerated waters.

No. of application : 6452.
Date : 30th January, 1907.

TRADE MARK.



The essential particulars of this trade mark are two capital 'U's, with the signature "Wardette & Co." written across them, and the play on words—Double U (W) and Two U's (to use); and any right to the exclusive use of the added matter is disclaimed.

NAME.

MRS. BENJAMIN HORACE WARD, trading as "Wardette and Co.," of Kent Street, Picton, in the Provincial District of Marlborough, in the Colony of New Zealand, Manufacturer.

No. of class : 42.

Description of goods: Preserved fruit—jam and marmalade.

No. of application : 6456.
Date : 14th February, 1907.

TRADE MARK.

The word
"PASTERINE."

NAME.

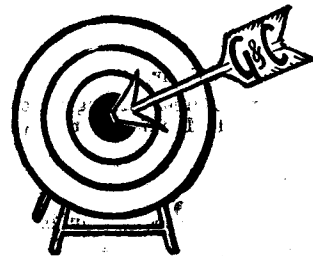
CHARLES ALPHONSUS SENIOR, of Onehunga, Auckland, in the Colony of New Zealand, Printer and Publisher.

No. of class : 39.

Description of goods: Adhesive substances manufactured from animal, vegetable, and mineral products.

No. of application : 6457.
Date : 6th February, 1907.

TRADE MARK.



NAME.

GREEN AND COLEBROOK, LIMITED, of Ngaruawahia, Auckland, in the Colony of New Zealand, Merchants.

No. of class : 6.

Description of goods: All goods included in this class.
NOTE.—Class 6 is for "Machinery of all kinds, and parts of machinery, except agricultural and horticultural machines included in Class 7—such as steam-engines, boilers, pneumatic machines, hydraulic machines, locomotives, sewing-machines, weighing-machines, machine tools, mining machinery, fire-engines."

No. of application : 6458.
Date : 6th February, 1907.

TRADE MARK.

(The mark as shown in preceding notice, No. 6457.)

NAME.

GREEN AND COLEBROOK, LIMITED, of Ngaruawahia, Auckland, in the Colony of New Zealand, Merchants.

No. of class : 7.

Description of goods: All goods included in this class.
NOTE.—Class 7 is for "Agricultural and horticultural machinery and parts of such machinery, such as ploughs, drilling-machines, reaping-machines, threshing-machines, churns, cider-presses, chaff-cutters."

No. of application : 6459.
Date : 6th February, 1907.

TRADE MARK.

(The mark as shown in preceding notice No. 6457.)

NAME.

GREEN AND COLEBROOK, LIMITED, of Ngaruawahia, Auckland, in the Colony of New Zealand, Merchants.

No. of class : 10.
Description of goods : All goods included in this class.
NOTE.—Class 10 is for "Horological instruments."

No. of application : 6460.
Date : 6th February, 1907.

TRADE MARK.

(The mark as shown in preceding notice No. 6457.)

NAME.

GREEN AND COLEBROOK, LIMITED, of Ngaruawahia, Auckland, in the Colony of New Zealand, Merchants.

No. of class : 12.
Description of goods : All goods included in this class.
NOTE.—Class 12 is for "Cutlery and edge tools, such as knives, forks, scissors, shears, files, saws."

No. of application : 6462.
Date : 6th February, 1907.

TRADE MARK.

(The mark as shown in preceding notice No. 6457.)

NAME.

GREEN AND COLEBROOK, LIMITED, of Ngaruawahia, Auckland, in the Colony of Zealand, Merchants.

No. of class : 37.
Description of goods : All goods included in this class.
NOTE.—Class 37 is for "Leather, skins wrought and unwrought, and articles made of leather not included in other classes, such as saddlery, harness, whips, portmanteaux, furs."

No. of application : 6463.
Date : 6th February, 1907.

TRADE MARK.

(The mark as shown in preceding notice No. 6457.)

NAME.

GREEN AND COLEBROOK, LIMITED, of Ngaruawahia, Auckland, in the Colony of New Zealand, Merchants.

No. of class : 38.
Description of goods : All goods included in this class.
NOTE.—Class 38 is for "Articles of clothing, such as hats of all kinds, caps and bonnets, hosiery, gloves, boots and shoes, and other ready-made clothing."

No. of application : 6465.
Date : 6th February, 1907.

TRADE MARK.

The words

"GOLD BOND."

NAME.

LARUS AND BROTHER COMPANY, a company incorporated according to the laws of the State of Virginia, one of the United States of America, having its office at Nos. 7 and 9 South 21st Street, Richmond, in the said State of Virginia, Manufacturers of Tobacco.

No. of class : 45.
Description of goods : Tobacco, whether manufactured or unmanufactured, including cigars and cigarettes.

No. of application : 6467.
Date : 6th February, 1907.

TRADE MARK.

The word

"Q B O I D."

NAME.

LARUS AND BROTHER COMPANY, a company incorporated according to the laws of the State of Virginia, one of the United States of America, having its office at Nos. 7 and 9 South 21st Street, Richmond, in the said State of Virginia, Manufacturers of Tobacco.

No. of class : 45.
Description of goods : Tobacco, whether manufactured or unmanufactured, including cigars and cigarettes.

No. of application : 6468.
Date : 7th February, 1907.

TRADE MARK.



NAME.

VAN VEEN, REID, AND Co., of Elliott Street, Auckland, in the Colony of New Zealand, Import and Export Merchants.

No. of class : 42.
Description of goods : Milled butter, preservative and dairy salt.

No. of application : 6472.
Date : 13th February, 1907.

TRADE MARK.



The essential particulars of this trade mark are the device and the words "Goat and Tree"; and any right to the exclusive use of the added matter is disclaimed.

NAME.

WILKINSON, HEYWOOD, AND CLARK, LIMITED, of No. 7 Caledonian Road, King's Cross, London, England, and of Nos. 305-7 Flinders Lane, Melbourne, in the State of Victoria, Commonwealth of Australia, Varnish and Colour Manufacturers.

No. of class : 1.

Description of goods : Varnishes, paints, colours, mineral dye-stuffs, pigments, sheep-markers, glues, and enamel.

No. of application : 6473.
Date : 13th February, 1907.

TRADE MARK.

(The mark as shown in preceding notice, No. 6472.)

The essential particulars of this trade mark are the device and the words "Goat and Tree"; and any right to the exclusive use of the added matter is disclaimed.

NAME.

WILKINSON, HEYWOOD, AND CLARK, LIMITED, of No. 7 Caledonian Road, King's Cross, London, England, and of Nos. 305-7 Flinders Lane, Melbourne, in the State of Victoria, Commonwealth of Australia, Varnish and Colour Manufacturers.

No. of class : 4.

Description of goods : Oils (seed, fish, animal, vegetable, and mineral) for use in manufacture, oils for making paints and varnishes, gums, resins, oakum, sponge, dyes (other than mineral), tallow and grease prepared or unprepared for use in manufacture.

No. of application : 6474.
Date : 13th February, 1907.

TRADE MARK.

(The mark as shown in preceding notice No. 6472.)

The essential particulars of this trade mark are the device and the words "Goat and Tree"; and any right to the exclusive use of the added matter is disclaimed.

NAME.

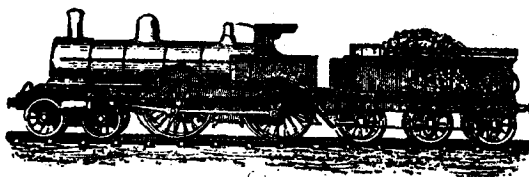
WILKINSON, HEYWOOD, AND CLARK, LIMITED, of No. 7 Caledonian Road, King's Cross, London, England, and of Nos. 305-7 Flinders Lane, Melbourne, in the State of Victoria, Commonwealth of Australia, Varnish and Colour Manufacturers.

No. of class : 47.

Description of goods : Illuminating, heating, and lubricating oils (seed, fish, animal, vegetable, and mineral), starch, cotton wicks, and grease for lubricating purposes.

No. of application : 6475.
Date : 13th February, 1907.

TRADE MARK.



NAME.

WILKINSON, HEYWOOD, AND CLARK, LIMITED, of No. 7 Caledonian Road, King's Cross, London, England, and of Nos. 305-7 Flinders Lane, Melbourne, in the State of Victoria, Commonwealth of Australia, Varnish and Colour Manufacturers.

No. of class : 1.

Description of goods : Varnishes, paints, colours, mineral dye-stuffs, pigments, sheep-markers, glues, and enamel.

No. of application : 6476.
Date : 13th February, 1907.

TRADE MARK.

(The mark as shown in preceding notice, No. 6475.)

NAME.

WILKINSON, HEYWOOD, AND CLARK, LIMITED, of No. 7 Caledonian Road, King's Cross, London, England, and of Nos. 305-7 Flinders Lane, Melbourne, in the State of Victoria, Commonwealth of Australia, Varnish and Colour Manufacturers.

No. of class : 4.

Description of goods : Oils (seed, fish, animal, vegetable, and mineral), for use in manufacture, oils for making paints and varnishes, gums, resins, oakum, sponge, dyes (other than mineral), tallow and grease prepared or unprepared for use in manufacture.

No. of application : 6477.
Date : 13th February, 1907.

TRADE MARK.

(The mark as shown in preceding notice No. 6475.)

NAME.

WILKINSON, HEYWOOD, AND CLARK, LIMITED, of No. 7 Caledonian Road, King's Cross, London, England, and of Nos. 305-7 Flinders Lane, Melbourne, in the State of Victoria, Commonwealth of Australia, Varnish and Colour Manufacturers.

No. of class : 47.

Description of goods : Illuminating, heating, and lubricating oils (seed, fish, animal, vegetable, and mineral), starch, cotton wicks, and grease for lubricating purposes.

No. of application : 6478.
Date: 13th February, 1907.

TRADE MARK.



The essential particulars of this trade mark are the device and the words "Three Leg"; and any right to the exclusive use of the added matter is disclaimed.

NAME.

WILKINSON, HEYWOOD, AND CLARK, LIMITED, of No. 7 Caledonian Road, King's Cross, London, England, and of Nos. 305-7 Flinders Lane, Melbourne, in the State of Victoria, Commonwealth of Australia, Varnish and Colour Manufacturers.

No. of class : 1.

Description of goods: Varnishes, paints, colours, mineral dye-stuffs, pigments, sheep-markers, glues, and enamel.

No. of application : 6479.
Date: 13th February, 1907.

TRADE MARK.

(The mark as shown in preceding notice, No. 6478.)

The essential particulars of this trade mark are the device and the words "Three Leg"; and any right to the exclusive use of the added matter is disclaimed.

NAME.

WILKINSON, HEYWOOD, AND CLARK, LIMITED, of No. 7 Caledonian Road, King's Cross, London, England, and of Nos. 305-7 Flinders Lane, Melbourne, in the State of Victoria, Commonwealth of Australia, Varnish and Colour Manufacturers.

No. of class : 4.

Description of goods: Oils (seed, fish, animal, vegetable, and mineral) for use in manufacture, oils for making paints and varnishes, gums, resins, oakum, sponge, dyes (other than mineral), tallow and grease prepared or unprepared for use in manufacture.

No. of application : 6480.
Date: 13th February, 1907.

TRADE MARK.

(The mark as shown in preceding notice No. 6478.)

The essential particulars of this trade mark are the device and the words "Three Leg"; and any right to the exclusive use of the added matter is disclaimed.

NAME.

WILKINSON, HEYWOOD, AND CLARK, LIMITED, of No. 7 Caledonian Road, King's Cross, London, England, and of Nos. 305-7 Flinders Lane, Melbourne, in the State of Victoria, Commonwealth of Australia, Varnish and Colour Manufacturers.

No. of class : 47.

Description of goods: Illuminating, heating, and lubricating oils (seed, fish, animal, vegetable, and mineral), starch, cotton wicks, and grease for lubricating purposes.

No. of application : 6481.
Date: 13th February, 1907.

TRADE MARK.

The word
"PHASANTITE."

NAME.

WILKINSON, HEYWOOD, AND CLARK, LIMITED, of No. 7 Caledonian Road, King's Cross, London, England, and of Nos. 305-7 Flinders Lane, Melbourne, in the State of Victoria, Commonwealth of Australia, Varnish and Colour Manufacturers.

No. of class : 1.

Description of goods: Varnishes, paints, colours, mineral dye-stuffs, pigments, sheep-markers, glues, and enamel.

No. of application : 6482.
Date: 13th February, 1907.

TRADE MARK.

The word
"PHASANTITE."

NAME.

WILKINSON, HEYWOOD, AND CLARK, LIMITED, of No. 7 Caledonian Road, King's Cross, London, England, and of Nos. 305-7 Flinders Lane, Melbourne, in the State of Victoria, Commonwealth of Australia, Varnish and Colour Manufacturers.

No. of class : 4.

Description of goods: Oils (seed, fish, animal, vegetable, and mineral) for use in manufacture, oils for making paints and varnishes, gums, resins, oakum, sponge, dyes (other than mineral), tallow and grease prepared or unprepared for use in manufacture.

No. of application : 6483.
Date: 13th February, 1907.

TRADE MARK.

The word
"PHASANTITE."

NAME.

WILKINSON, HEYWOOD, AND CLARK, LIMITED, of No. 7 Caledonian Road, King's Cross, London, England, and of Nos. 305-7 Flinders Lane, Melbourne, in the State of Victoria, Commonwealth of Australia, Varnish and Colour Manufacturers.

No. of class : 47.

Description of goods: Illuminating, heating, and lubricating oils (seed, fish, animal, vegetable, and mineral), starch, cotton wicks, and grease for lubricating purposes.

No. of application: 6484.
Date: 13th February, 1907.

TRADE MARK.

The word

"FALCONITE."

NAME.

WILKINSON, HEYWOOD, AND CLARK, LIMITED, of No. 7 Caledonian Road, King's Cross, London, England, and of Nos. 305-7 Flinders Lane, Melbourne, in the State of Victoria, Commonwealth of Australia, Varnish and Colour Manufacturers.

No. of class: 1.

Description of goods: Varnishes, paints, colours, mineral dye-stuffs, pigments, sheep-markers, glues, and enamel.

No. of application: 6485.
Date: 13th February, 1907.

TRADE MARK.

The word

"FALCONITE."

NAME.

WILKINSON, HEYWOOD, AND CLARK, LIMITED, of No. 7 Caledonian Road, King's Cross, London, England, and of Nos. 305-7 Flinders Lane, Melbourne, in the State of Victoria, Commonwealth of Australia, Varnish and Colour Manufacturers.

No. of class: 4.

Description of goods: Oils (seed, fish, animal, vegetable, and mineral) for use in manufacture, oils for making paints and varnishes, gums, resins, oakum, sponge, dyes (other than mineral), tallow and grease prepared or unprepared for use in manufacture.

No. of application: 6486.
Date: 13th February, 1907.

TRADE MARK.

The word

"FALCONITE."

NAME.

WILKINSON, HEYWOOD, AND CLARK, LIMITED, of No. 7 Caledonian Road, King's Cross, London, England, and of Nos. 305-7 Flinders Lane, Melbourne, in the State of Victoria, Commonwealth of Australia, Varnish and Colour Manufacturers.

No. of class: 47.

Description of goods: Illuminating, heating, and lubricating oils (seed, fish, animal, vegetable, and mineral), starch, cotton wicks, and grease for lubricating purposes.

No. of application: 6487.
Date: 13th February, 1907.

TRADE MARK.

The word

"CYGNITE."

NAME.

WILKINSON, HEYWOOD, AND CLARK, LIMITED, of No. 7 Caledonian Road, King's Cross, London, England, and of Nos. 305-7 Flinders Lane, Melbourne, in the State of Victoria, Commonwealth of Australia, Varnish and Colour Manufacturers.

No. of class: 1.

Description of goods: Varnishes, paints, colours, mineral dye-stuffs, pigments, sheep-markers, glues, and enamel.

No. of application: 6488.
Date: 13th February, 1907.

TRADE MARK.

The word

"CYGNITE."

NAME.

WILKINSON, HEYWOOD, AND CLARK, LIMITED, of No. 7 Caledonian Road, King's Cross, London, England, and of Nos. 305-7 Flinders Lane, Melbourne, in the State of Victoria, Commonwealth of Australia, Varnish and Colour Manufacturers.

No. of class: 4.

Description of goods: Oils (seed, fish, animal, vegetable, and mineral) for use in manufacture, oils for making paints and varnishes, gums, resins, oakum, sponge, dyes (other than mineral), tallow and grease prepared or unprepared for use in manufacture.

No. of application: 6489.
Date: 13th February, 1907.

TRADE MARK.

The word

"CYGNITE."

NAME.

WILKINSON, HEYWOOD, AND CLARK, LIMITED, of No. 7 Caledonian Road, King's Cross, London, England, and of Nos. 305-7 Flinders Lane, Melbourne, in the State of Victoria, Commonwealth of Australia, Varnish and Colour Manufacturers.

No. of class: 47.

Description of goods: Illuminating, heating, and lubricating oils (seed, fish, animal, vegetable, and mineral), starch, cotton wicks, and grease for lubricating purposes.

No. of application: 6491.
Date: 14th February, 1907.

TRADE MARK.

The word

LEKTRIK

NAME.

ANDREAS PETER LUNDBERG, GUSTAF CHARLES LUNDBERG, AND PERCIVAL ANDRÉ LUNDBERG, trading as "A. P. Lundberg and Sons," of Pioneer Works, 477 to 487 Liverpool Road, in the County of London, in England, Engineers.

No. of class: 16.

Description of goods: Porcelain and china fittings.

No. of application: 6492.

Date: 15th February, 1907.

TRADE MARK.

The word

"NOSEGAY."

NAME.

BATES, SISE, AND Co., of 7 Bond Street, Dunedin, in the Colony of New Zealand, Merchants.

No. of class: 42.

Description of goods: Tea.

No. of application: 6493.

Date: 15th February, 1907.

TRADE MARK.

The word

"ENCHANTER."

NAME.

BATES, SISE, AND Co., of 7 Bond Street, Dunedin, in the Colony of New Zealand, Merchants.

No. of class: 42.

Description of goods: Tea.

No. of application: 6494.

Date: 15th February, 1907.

TRADE MARK.

The word

"SOLACE."

NAME.

BATES, SISE, AND Co., of 7 Bond Street, Dunedin, in the Colony of New Zealand, Merchants.

No. of class: 42.

Description of goods: Tea.

Trade Marks registered.

LIST of Trade Marks registered from the 6th to the 20th February, 1907, inclusive:—

- No. 4959/5757.—Gardiner and Hardie. Class 3. (*Gazette* No. 10, of the 8th February, 1906.)
- No. 4960/6319.—F. J. McCaffrey. Class 50. (*Gazette* No. 96, of the 15th November, 1906.)
- No. 4961/5459.—J. M. Sandy and D. Cormack. Class 1. (*Gazette* No. 99, of the 29th November, 1906.)
- No. 4962/5967.—The Atlas Metal and Alloys Company, Limited. Class 5. (*Gazette* No. 81, of the 20th September, 1906.)
- No. 4963/5992.—Winsor and Newton, Limited. Class 1. (*Gazette* No. 84, of the 4th October, 1906.)
- No. 4964/6044.—Netherlands Distilleries. Class 43. (*Gazette* No. 88, of the 18th October, 1906.)
- No. 4965/6099.—The Monarch Typewriter Company. Class 6. (*Gazette* No. 81, of the 20th September, 1906.)
- No. 4966/6125.—Douglas and Green, Limited. Class 28. (*Gazette* No. 81, of the 20th September, 1906.)
- No. 4967/6158.—The Neuchatel Asphalte Company, Limited. Class 17. (*Gazette* No. 81, of the 20th September, 1906.)
- No. 4968/6171.—Vereinigte Gummiwaaren-Fabriken Harburg-Wien. Class 40. (*Gazette* No. 84, of the 4th October, 1906.)
- No. 4969/6172.—Vereinigte Gummiwaaren-Fabriken Harburg-wien. Class 38. (*Gazette* No. 84, of the 4th October, 1906.)
- No. 4970/6173.—Vereinigte Gummiwaaren-Fabriken Harburg-wien. Class 49. (*Gazette* No. 84, of the 4th October, 1906.)
- No. 4971/6174.—Vereinigte Gummiwaaren-Fabriken Harburg-wien. Class 38. (*Gazette* No. 84, of the 4th October, 1906.)
- No. 4972/6175.—Vereinigte Gummiwaaren-Fabriken Harburg-wien. Class 38. (*Gazette* No. 84, of the 4th October, 1906.)
- No. 4973/6176.—George, Doughty, and Co. Class 38. (*Gazette* No. 88, of the 18th October, 1906.)
- No. 4974/6190.—Colonial Ammunition Company, Limited. Class 20. (*Gazette* No. 84, of the 4th October, 1906.)
- No. 4975/6229.—Debenhams, Limited. Class 34. (*Gazette* No. 84, of the 4th October, 1906.)
- No. 4976/6230.—R. G. Edwards. Class 48. (*Gazette* No. 84, of the 4th October, 1906.)
- No. 4977/6232.—The Chillington Tool Company, Limited. Class 13. (*Gazette* No. 88, of the 18th October, 1906.)
- No. 4978/6234.—Rowntree and Co., Limited. Class 42. (*Gazette* No. 88, of the 18th October, 1906.)
- No. 4979/6235.—E. Cook and Co., Limited. Class 47. (*Gazette* No. 84, of the 4th October, 1906.)
- No. 4980/6236.—E. Cook and Co., Limited. Class 48. (*Gazette* No. 84, of the 4th October, 1906.)
- No. 4981/6237.—E. Cook and Co., Limited. Class 47. (*Gazette* No. 84, of the 4th October, 1906.)
- No. 4982/6238.—E. Cook and Co., Limited. Class 48. (*Gazette* No. 84, of the 4th October, 1906.)
- No. 4983/6239.—A. W. Faber. Class 39. (*Gazette* No. 88, of the 18th October, 1906.)
- No. 4984/6252.—Lones, Vernon, and Holden, Limited. Class 13. (*Gazette* No. 88, of the 18th October, 1906.)
- No. 4985/6253.—Anturic Salts, Limited. Class 3. (*Gazette* No. 88, of the 18th October, 1906.)
- No. 4986/6254.—H. C. G. Luyties and F. A. Luyties. Class 48. (*Gazette* No. 88, of the 18th October, 1906.)
- No. 4987/6273.—H. W. Manning. Class 2. (*Gazette* No. 88, of the 18th October, 1906.)
- No. 4988/5720.—W. H. Bartlett. Class 39. (*Gazette* No. 6, of the 25th January, 1906.)
- No. 4989/5725.—W. H. Bartlett. Class 39. (*Gazette* No. 10, of the 8th February, 1906.)
- No. 4990/6375.—A. W. Loone. Class 37. (*Gazette* No. 105, of the 13th December, 1906.)

Trade Mark Renewal Fees paid.

FEES paid for the renewal of the undermentioned Trade Marks for fourteen years from the date first noted:—

- No. 407/307.—15th February, 1906.—Kerr and Co., Limited, of Paisley, Scotland. 20th December, 1906.
- No. 776/610.—3rd May, 1907.—The Canterbury Central Co-operative Dairy Company, Limited, of Christchurch, N.Z. 15th February, 1907.

J. C. LEWIS,
Deputy Registrar.

Trade Marks removed from the Register.

TRADE Marks removed from the Register, owing to the non-payment of the renewal fees, from the 7th to the 20th February, 1907, inclusive:—

No. 627/489.—10th November, 1892.—Sanson and Sons, of Campbelltown, N.Z. Class 42.

No. 628/570.—31st October, 1892.—J. W. Kenah, of Eltham, N.Z. Class 42.

No. 629/532.—14th November, 1892.—D. H. Ross, of "Ross and Ansenne," Auckland, N.Z. Class 50.

No. 632/564.—15th November, 1892.—Southern Shoe Company, of Wellington, N.Z. Class 38.

No. 633/687.—15th November, 1892.—D. McKenzie, of Sanson, N.Z. Class 42.

No. 636/534.—15th November, 1892.—T. Heayns, of Wellington, N.Z. Class 42.

No. 637/677.—15th November, 1892.—R. Fairbrother, of Carterton, N.Z. Class 42.

No. 638/505.—15th November, 1892.—Van Os and Schutte, of Amsterdam, Holland. Class 45.

No. 639/520.—16th November, 1892.—J. Phillips, of Feilding, N.Z. Class 42.

No. 640/575.—18th November, 1892.—The Wyndham Dairy Factory Company, Limited, of Wyndham, N.Z. Class 42.

No. 641/527.—18th November, 1892.—Saunders, Gilbert, and Co., of Napier, N.Z. Class 47.

No. 644/641.—18th November, 1892.—A. King, of Carterton, N.Z. Class 42.

Subsequent Proprietors of Trade Marks registered.

[NOTE.—The name of the former proprietor is given in brackets; the date is that of registration.]

NO. 3436/3030.—Wailes, Dove, and Company (1906), Limited, of 5, St. Nicholas Buildings, Newcastle-upon-Tyne, Northumberland, England. [Wailes, Dove, and Co., Limited.] 8th February, 1907.

Restoration of Trade Mark to the Register.

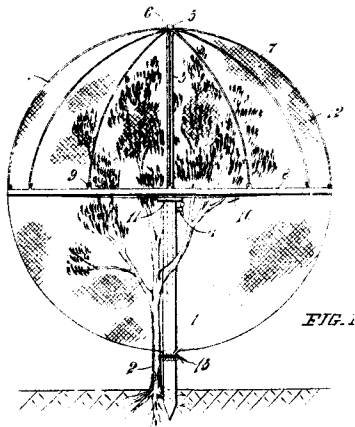
THE following trade mark has been restored to the Register:—

No. 407/307.—Kerr and Co., Limited, of Paisley, Scotland. (Advertised in Supplement to *New Zealand Gazette*, No. 3, of the 10th January, 1907.)

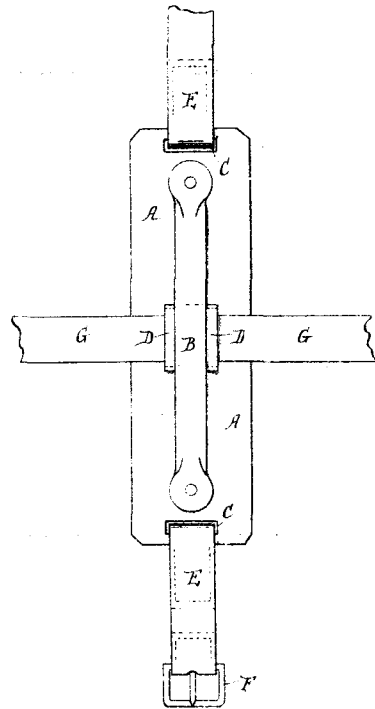
By Authority: JOHN MACKAY, Government Printer, Wellington.

ILLUSTRATIONS OF INVENTIONS.

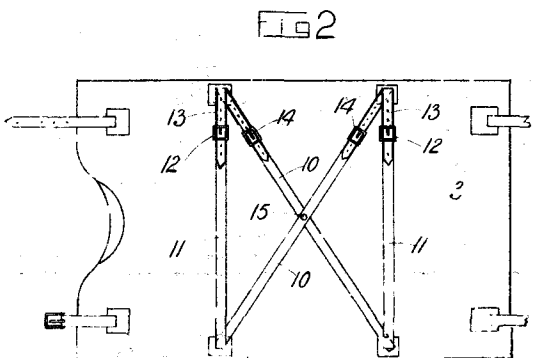
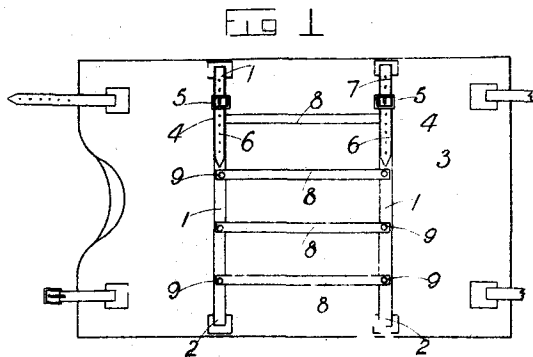
[These illustrations refer to the complete specifications accepted, and advertised in this *Gazette*.]



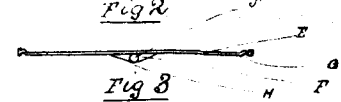
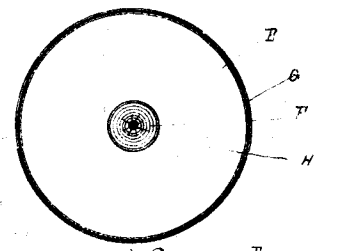
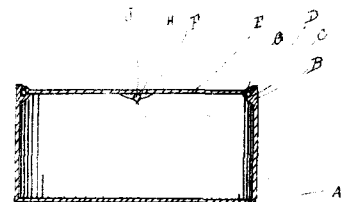
20808
Harris and Todd. Fruit-tree Protector.



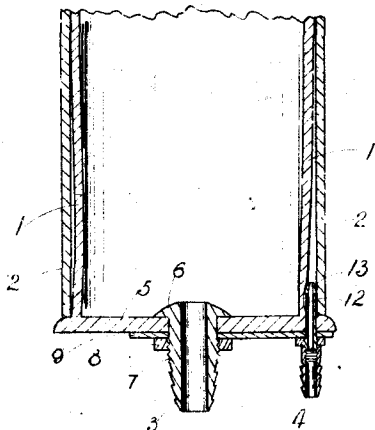
21078
Witt. Parcel-strap Handle.



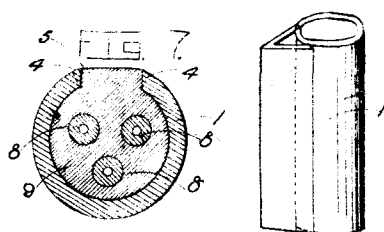
20933
Thompson. Horse-cover Fascening.



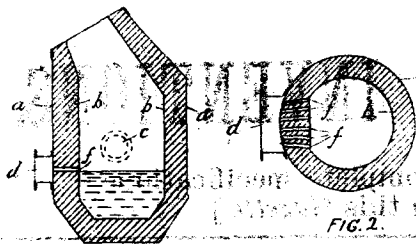
21156
Evelyn. Closure for pipes.



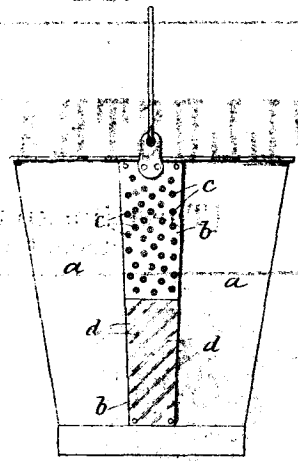
20939
Small. Milking-machine Foot up



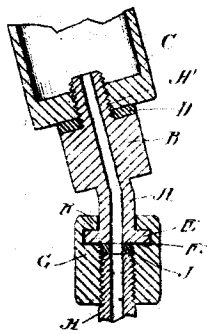
21808
Ackland. Electric-cable Conduit.



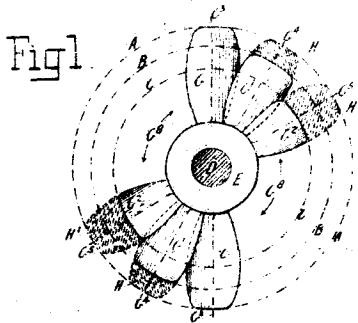
22157
Tropenas. Steel-manufacture.



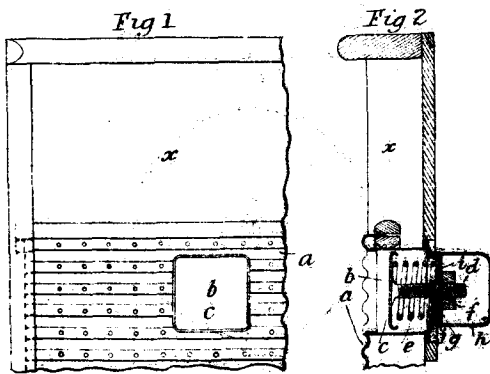
22340
George. Mixing-pail.



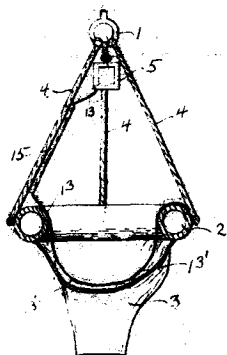
22307
Smith. Pump-connection.



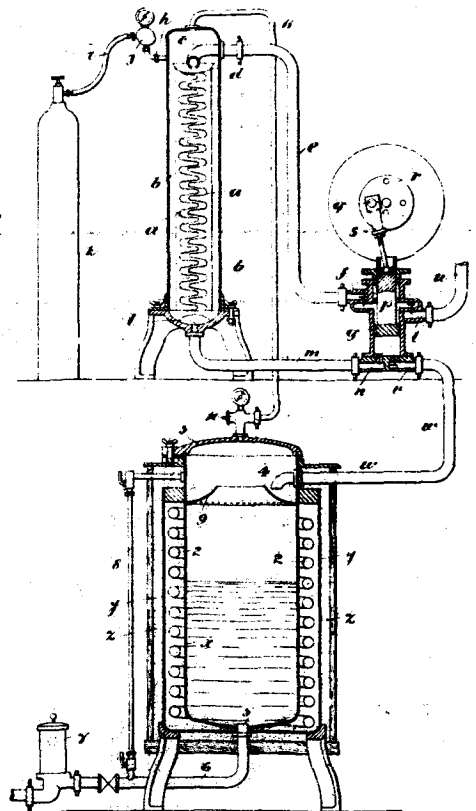
22312
Mackness and Barnes. Propeller.



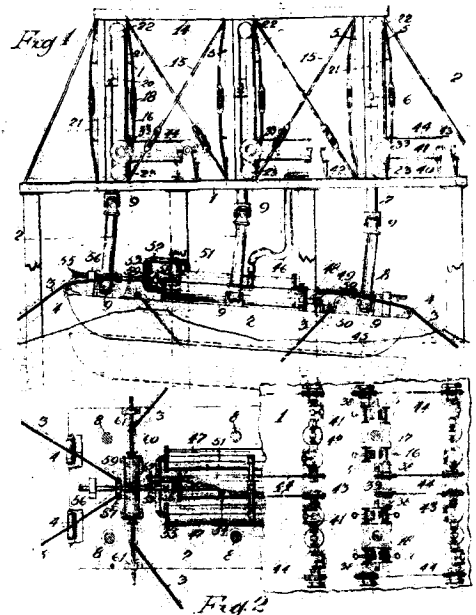
22332
Philpott. Washboard.



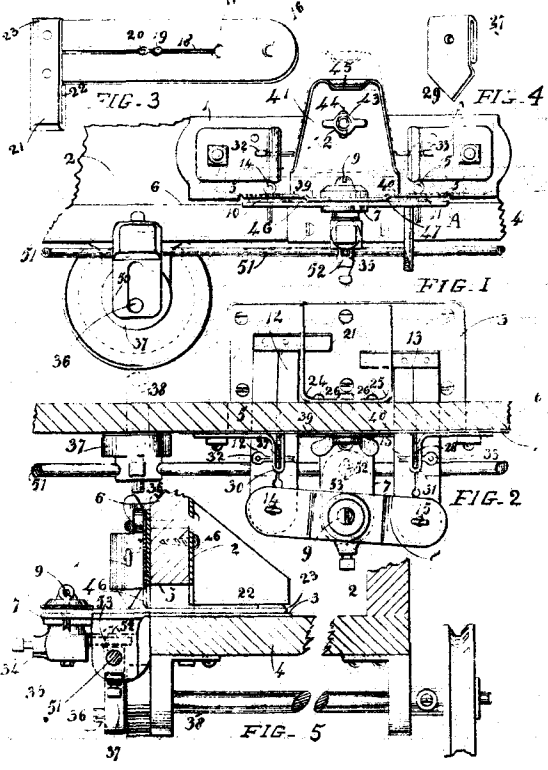
22335
Dalton. Boot.



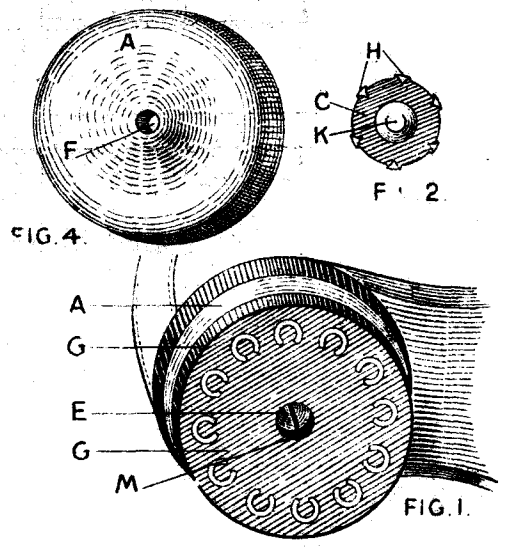
22343
H. J. West and Co. Ltd. Beer Chilling and Carbonating. (Chew.)



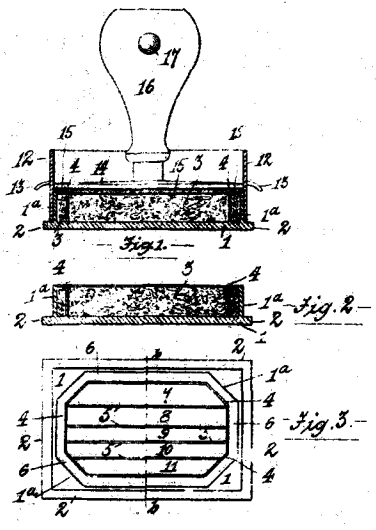
22338
Hughes. Wave-motor (Starr.)



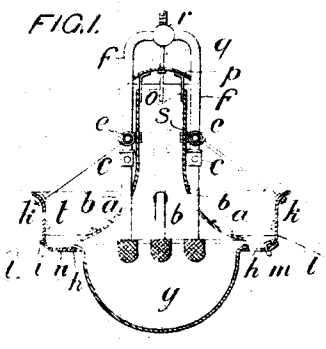
21273
Bristow. Seed-sower.



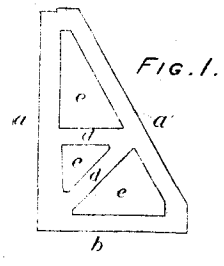
22248
Darnell. Boot-level.



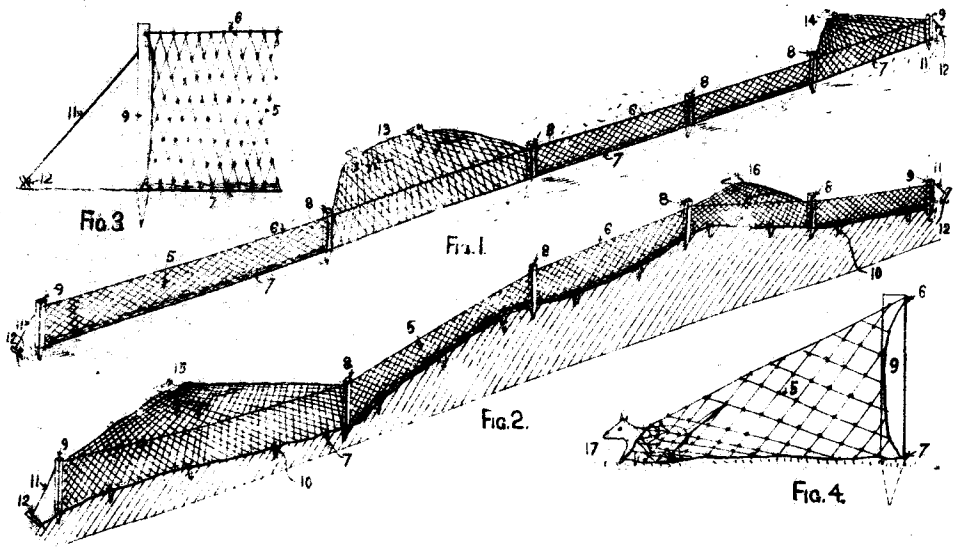
21678
Wingfield and Hermann. Stamp Pad.



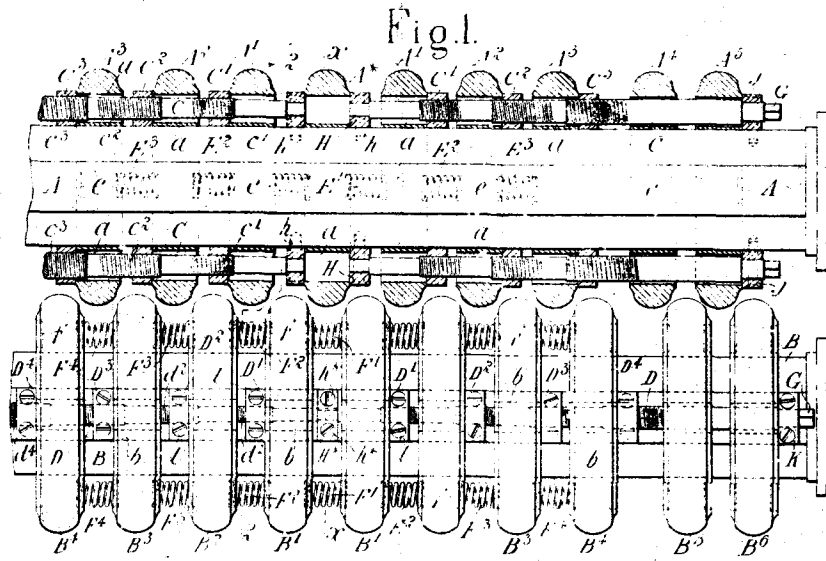
22337
Francis. Gas-burner.



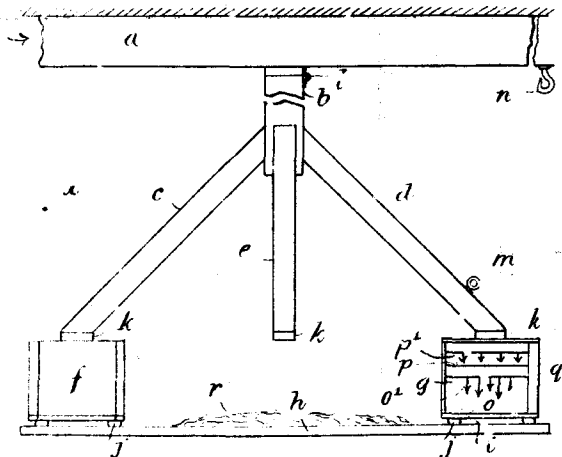
22335
Alms. Wall.



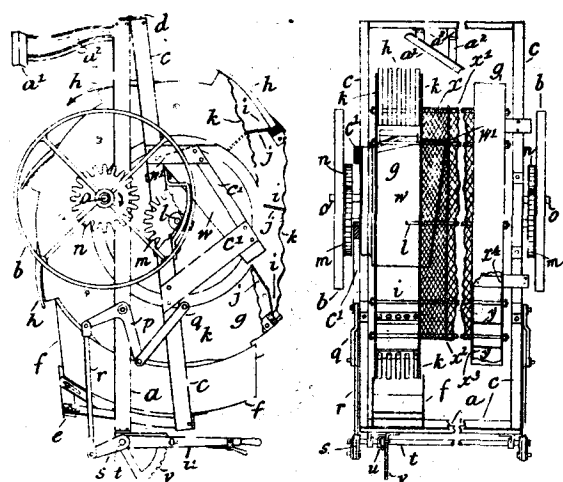
22353
Bullock. Rabbit-trapping Enclosure



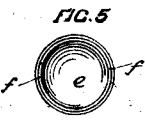
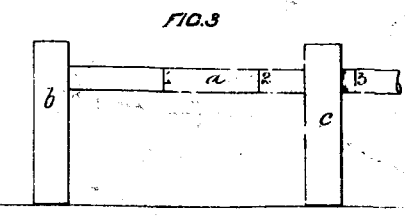
22316
Johnson's Metal-corrugating Machine.



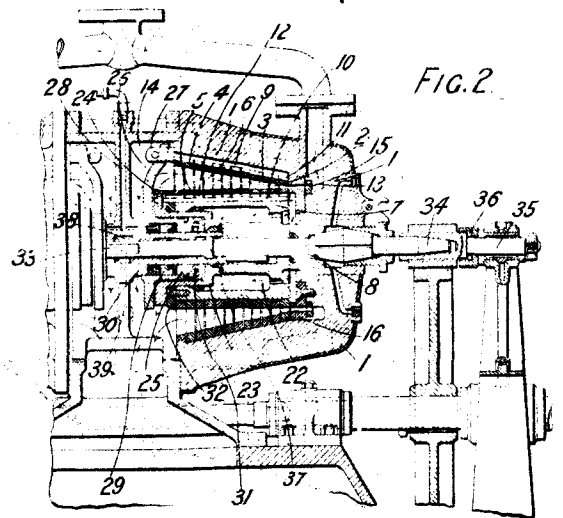
22346
Robertson's Confectionery Machine.



22347
Peters' Potato-harvester.



22355
Williams' Game.



22372
Molins and Sutcliff's Reversible Turbine.